



Ruud Achiever® Series Heat Pump



RP15 Series

Efficiencies: 14-15 SEER/11.5-12.5 EER
Nominal Sizes 1½ to 5 Ton [5.28 to 17.6 kW]
Cooling Capacities 17.3 to 60.5 kBTU
[5.7 to 17.7 kW]



"Proper sizing and installation of equipment is critical to achieve optimal performance. Split system air conditioners and heat pumps must be matched with appropriate coil components to meet Energy Star. Ask your Contractor for details or visit www.energystar.gov."

- New composite base pan – dampens sound, captures louver panels, eliminates corrosion and reduces number of fasteners needed
- Improved tubing design – reduces vibration and stress, making unit quieter and reducing opportunity for leaks
- Optimized defrost characteristics - decrease defrosting and provide better home comfort
- Powder coat paint system – for a long lasting professional finish
- Optimized reversing valve sizing – improves shifting performance for quieter unit operation and increased life of the system
- Enhanced mufflers – help to dissipate vibration energy for quieter unit operation
- Scroll compressor – a sound abating feature added to the compressor significantly reduces noise when system transitions in and out of defrost mode
- Modern cabinet aesthetics – increased curb appeal with visually appealing design
- Curved louver panels – provide ultimate coil protection, enhance cabinet strength, and increased cabinet rigidity
- Optimized fan orifice – optimizes airflow and reduces unit sound
- Rust resistant screws – confirmed through 1500-hour salt spray testing
- PlusOne™ **Expanded Valve Space** – 3"-4"-5" service valve space – provides a minimum working area of 27-square inches for easier access
- Integrated heat pump lift receptacle – allows standard CPVC stands to be inserted into the base
- PlusOne™ **Triple Service Access** – 15" wide, industry leading corner service access – makes repairs easier and faster. The two fastener removable corner allows optimal access to internal unit components. Individual louver panels come out once fastener is removed, for faster coil cleaning and easier cabinet reassembly
- Diagnostic service window with two-fastener opening – provides access to the TXV valves and the heat pump reversing valve before opening the unit.
- External gauge port access – allows easy connection of "low-loss" gauge ports
- Single-row condenser coil – makes unit lighter and allows thorough coil cleaning to maintain "out of the box" performance
- 35% fewer cabinet fasteners and fastener-free base – allow for faster access to internal components and hassle-free panel removal
- Service trays – hold fasteners or caps during service calls
- QR code – provides technical information on demand for faster service calls
- Fan motor harness with extra-long wires – allows unit top to be removed without disconnecting fan wire

TABLE OF CONTENTS

Standard Feature Table	3
Available SKUs	3
Features & Benefits	4-5
Model Number Identification	6-7
Physical Data	8
Electrical Data	8
Accessories	9
Weighted Sound Power	9
Thermostats.....	9
Unit Dimensions.....	10
Clearances.....	11
Wiring Diagrams	12
Application Guidelines.....	12
Refrigerant Line Size Information.....	13-16
Performance Data	17-37
Guide Specifications	38
Limited Warranty	39

Standard Feature Table

Feature	18	24	30	36	42	48	60
R-410a Refrigerant	√	√	√	√	√	√	√
Maximum SEER	15.0	15.0	15.0	15.0	15.0	15.0	15.0
Maximum EER	12.5	12.5	12.5	12.5	12.5	12.5	12.5
Scroll Compressor	√	√	√	√	√	√	√
Field Installed Filter Drier	√	√	√	√	√	√	√
Front Seating Service Valves	√	√	√	√	√	√	√
High Pressure Switch	√	√	√	√	√	√	√
Low Pressure Switch	√	√	√	√	√	√	√
Internal Pressure Relief Valve	√	√	√	√	√	√	√
Internal Thermal Overload	√	√	√	√	√	√	√
Long Line capability	√	√	√	√	√	√	√
Low Ambient capability with Kit	√	√	√	√	√	√	√
3-4-5 Service Valve Access	√	√	√	√	√	√	√
Composite Basepan	√	√	√	√	√	√	√
2 Screw Control Box Access	√	√	√	√	√	√	√
15" Access to Internal Components	√	√	√	√	√	√	√
Quick release louver panel design	√	√	√	√	√	√	√
No fasteners to remove along bottom	√	√	√	√	√	√	√
Optimized Venturi Airflow	√	√	√	√	√	√	√
Single row condenser coil	√	√	√	√	√	√	√
Powder coated paint	√	√	√	√	√	√	√
Rust resistant screws	√	√	√	√	√	√	√
QR code	√	√	√	√	√	√	√
External gauge ports	√	√	√	√	√	√	√
Service trays	√	√	√	√	√	√	√

√ = Standard

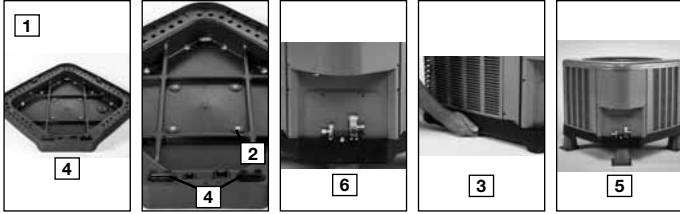
Available SKU

Available Models	Description
RP1518BJ1NA	<i>Achiever</i> ® 1 1/2 ton 15 SEER Single-Stage Heat Pump-208/230/1/60
RP1524BJ1NA	<i>Achiever</i> ® 2 ton 15 SEER Single-Stage Heat Pump-208/230/1/60
RP1530BJ1NA	<i>Achiever</i> ® 2 1/2 ton 15 SEER Single-Stage Heat Pump-208/230/1/60
RP1536AJ1NA	<i>Achiever</i> ® 3 ton 15 SEER Single-Stage Heat Pump-208/230/1/60
RP1542AJ1NA	<i>Achiever</i> ® 3 1/2 ton 15 SEER Single-Stage Heat Pump-208/230/1/60
RP1548AJ1NA	<i>Achiever</i> ® 4 ton 15 SEER Single-Stage Heat Pump-208/230/1/60
RP1560AJ1NA	<i>Achiever</i> ® 5 ton 15 SEER Single-Stage Heat Pump-208/230/1/60
RP1536AC1NA	<i>Achiever</i> ® 3 ton 15 SEER Single-Stage Heat Pump-208/230/3/60
RP1542AC1NA	<i>Achiever</i> ® 3 1/2 ton 15 SEER Single-Stage Heat Pump-208/230/3/60
RP1548AC1NA	<i>Achiever</i> ® 4 ton 15 SEER Single-Stage Heat Pump-208/230/3/60
RP1560AC1NA	<i>Achiever</i> ® 5 ton 15 SEER Single-Stage Heat Pump-208/230/3/60

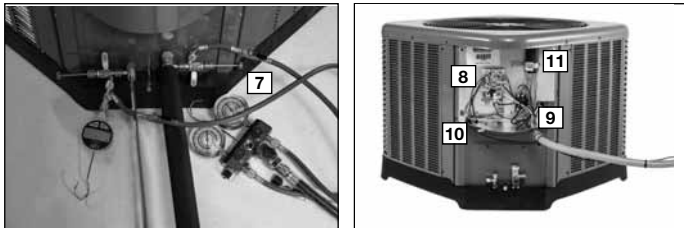
Introduction to RP15 Heat Pump

The RP15 is our 15 SEER heat pump and is part of the Ruud heat pump product line that extends from 14 to 20 SEER. This highly featured and reliable heat pump is designed for years of reliable, efficient operation when matched with Ruud indoor aluminum evaporator coils and furnaces or air handler units with aluminum evaporators.

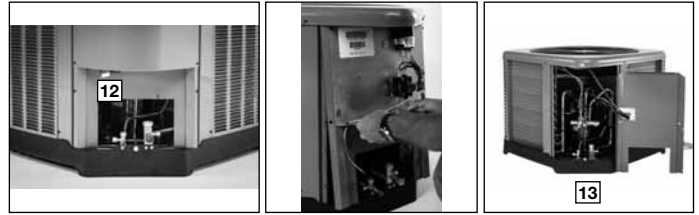
Our unique composite base (1) reduces sound emission, eliminates rattles, significantly reduces fasteners, eliminates corrosion and has integrated brass compressor attachment inserts (2). Furthermore it has incorporated into the design, water management features, means for hand placement (3) for unit maneuvering, screw trays (4) and inserts for lifting unit off pad. (5)



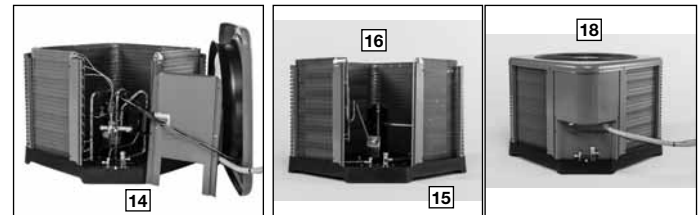
Service Valves (6) are rigidly mounted in the composite base with 3" between suction and discharge valves, 4" clearance below service valves and a minimum of 5" above the service valves, creating industry leading installation ease. The minimum 27-square inches around the service valves allows ample room to remove service valve schrader prior to brazing, plenty of clearance for easy brazing of the suction and discharge lines to service valve outlets, easy access and hookup of low loss refrigerant gauges (7), and access to the service valve caps for opening. For applications with long-line lengths up to 250 feet total equivalent length, up to 200 feet heat pump above evaporator, or up to 80 feet evaporator above heat pump, the long-line instructions in the installation manual should be followed.



Controls are accessed from the corner of the unit by removing only two fasteners from the control access cover, revealing the industry's largest 15" wide and 14" tall control area (8). With all this room in the control area the high voltage electrical whip (9) can easily be inserted through the right size opening in the bottom of the control area. Routing it leads directly to contractor lugs for connection. The low voltage control wires (10) are easily connected to units low voltage wiring. If contactor, defrost control or capacitor (11) needs to be replaced there is more than adequate space to make the repair. Furthermore, the service window (12) can be removed to access the TXV and reversing valve by removing two screws or the entire corner can be removed providing ultimate access to the TXV or reversing valve. (13)



If in the rare event, greater access is needed to internal components, such as the compressor, the entire corner of the unit can be removed along with the top cover assembly to have unprecedented access to interior of the unit (14). Extra wire length is incorporated into each outdoor fan and compressor so top cover and control panel can be positioned next to unit. With minimal effort the plug panel can be removed from the compressor and the outdoor fan wires can be removed from the capacitor to allow even more uncluttered access to the interior of the unit (15). Outdoor coils heights range from as short as 25" to 45", aiding access to the compressor. Disassembly to this degree and complete reassembly only takes a first time service technician less than 10 minutes. (18)



All units utilize strong formed louver panels which provide industry leading coil protection. Louver removal for coil cleaning is accomplished by removing one screw and lifting the panel out of the composite base pan (17). All RP15 units utilize single row coils (16) making cleaning easy and complete, restoring the performance of the heat pump back to out of the box performance levels year after year.

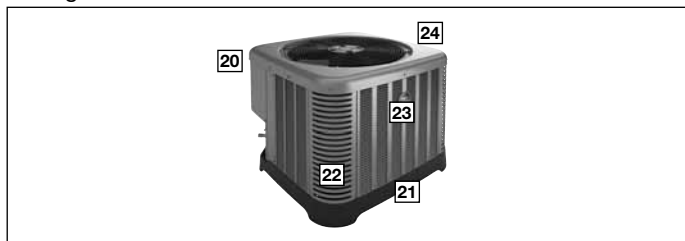


The outdoor fan motor has sleeve bearings and is inherently protected. The motor is totally enclosed for maximum protection from weather, dust and corrosion. Access to the outdoor fan is made by removing four fasteners from the fan grille. The outdoor fan can be removed from the fan grille by removing 4 fasteners in the rare case outdoor fan motor fails.

Each cabinet has optimized composite (19) fan orifice assuring efficient and quiet airflow.

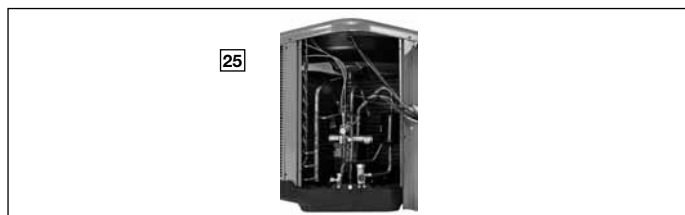


The entire cabinet has powder post paint (20) achieving 1000 hour salt spray rating, allowing the cabinet to retain its aesthetics throughout its life.



Scroll compressors with standard internal pressure relief and internal thermal overload are used on all capacities assuring longevity of high efficient and quiet operation for the life of the product. All RP15 Heat Pumps come standard with high and low pressure switches.

Each unit is shipped with filter drier for field installation and will trap any moisture or dirt that could contaminate the refrigerant system.



All cabinets have industry leading structural strength due to the composite base pan (21), interlocking corner post (22), formed curved louver panels (23) and drawn top cover (24) making it the most durable cabinet on the market today.

Each RP15 capacity has undergone rigorous psychrometric testing to assure performance ratings of capacity, SEER, EER and HSPF per AHRI Standard 210/240 rating conditions. Also each unit bears the UL mark and each unit is certified to UL 1995 safety standards.



Each unit has undergone specific strain and modal testing to assure tubing (25) is outside the units natural frequency and that the suction and discharge lines connected to the compressor withstand any starting, steady state operation or shut down forces imposed by the compressor.

All units have been sound tested in sound chamber to AHRI 270 rating conditions, and A-weighted Sound Power Level tables produced, assuring units have acceptable noise qualities (see page 9). Each unit has been ran in cooling operation at 95°F and 47°F and sound ratings for the RP15 range from as low as 73 dBA to 79 dBA.

All units have been ship tested to assure units meet stringent "over the road" shipping conditions.

As manufactured all units in the RP15 family have cooling capability to 55 °F. Addition of low ambient control will allow the unit to operate down to 0°F.

Factory testing is performed on each unit. All component parts meet well defined specification and continually go through receiving inspections. Each component installed on a unit is scanned, assuring correct component utilization for a given unit capacity and voltage. All condenser coils are leak tested with pressurization test to 550#’s and once installed and assembled, each units’ complete refrigerant system is helium leak tested. All units are fully charged from the factory for up to 15 feet of piping. All units are factory run tested. The RP15 has a 10-year conditional compressor and parts warranty (registration required).

Optional Accessories (Refer to accessory chart for model #)

Compressor Crankcase Heater

- Protects against refrigerant migration that can occur during low ambient operation

Compressor Sound Cover

- Reinforced vinyl compressor cover containing a 1½ inch thick batt of fiberglass insulation
- Open edges are sealed with a one-inch wide hook and loop fastening tape

Compressor hard Start Kit

- Single-phase units are equipped with a PSC compressor motor. This type of motor normally does not need a potential relay and start capacitor
- In conditions such as low voltage, this kit may be required to increase the compressor starting torque

Low Ambient Kit

- Heat Pump operate satisfactorily in the cooling mode down to 55°F outdoor air temperature without any additional controls
- Kit can be added in the field enabling unit to operate properly down to 0° in the cooling mode
- Crankcase heater and freezestat should be installed on compressors equipped with a low ambient kit

3"/6"/12"

- Gray high density polyethylene feet are available to raise unit off of mounting surface away from moisture

Heat Pumps

R	P	15	24	A	J	1	N	A	*
Brand	Product Category	SEER	Capacity BTU/HR	Major Series*	Voltage	Type	Controls	Minor Series**	Option Code
Ruud	P - Heat Pump	13 - 13 SEER 14 - 14 SEER 15 - 15 SEER 17 - 17 SEER 20 - 20 SEER	18 - 18,000 [5.28 kW] 24 - 24,000 [7.03 kW] 30 - 30,000 [8.79 kW] 36 - 36,000 [10.55 kW] 42 - 42,000 [12.31 kW] 48 - 48,000 [14.07 kW] 60 - 60,000 [17.58 kW]	A - 1st Design B - 2nd Design	J - 1ph, 208-230/60 C - 3ph, 208-230/60 D - 3ph, 460/60	1 - Single-stage V - Inverter P - Piston	C - Communicating N - Non-communicating	A - 1st Design	N/A

Air Conditioners (For Reference)

R	A	14	24	A	J	1	N	A	*
Brand	Product Category	SEER	Capacity BTU/HR [kW]	Major Series*	Voltage	Type	Controls	Minor Series**	Option Code
Ruud	A - Air Conditioners	13 - 13 SEER 14 - 14 SEER 16 - 16 SEER 17 - 17 SEER 20 - 20 SEER	18 - 18,000 [5.28 kW] 24 - 24,000 [7.03 kW] 30 - 30,000 [8.79 kW] 36 - 36,000 [10.55 kW] 42 - 42,000 [12.31 kW] 48 - 48,000 [14.07 kW] 60 - 60,000 [17.58 kW]	A - 1st Design	J - 1ph, 208-230/60 C - 3ph, 208-230/60 D - 3ph, 460/60	1 - Single-stage 2 - Two-stage V - Inverter	C - Communicating N - Non-communicating	A - 1st Design	N/A

Furnace Coils (For Reference)

R	C	E	24	17	S	I	A	M	C	A	*
Brand	Product Category	Type	Capacity BTU/HR	Width	Efficiency	Metering Device	Major Series*	Orientation	Casing	Minor Series**	Option Code
Ruud	C - Evap Coil	F - Furn Coil H - Air-Handler Coil	24 - 24,000 [7.03 kW] 36 - 36,000 [10.55 kW] 48 - 48,000 [14.07 kW] 60 - 60,000 [17.58 kW]	14 - 14" 17 - 17.5" 21 - 21" 24 - 24.5"	S - Standard Eff. M - Mid Eff. H - High Eff.	T-TXV E-EEV P-Piston	A - 1st Design	M - Multi-poise	C - Cased U - Uncased	A - 1st Design	N/A

[] Designates Metric Conversions

Physical Data							
Model No. #	RP1518B	RP1524B	RP1530B	RP1536A	RP1542A	RP1548A	RP1560A
Nominal Tonnage	1.5	2.0	2.5	3.0	3.5	4.0	5.0
Valve Connections							
Liquid Line O.D. – in.	3/8	3/8	3/8	3/8	3/8	3/8	3/8
Suction Line O.D. – in.	3/4	3/4	3/4	3/4	7/8	7/8	7/8
Refrigerant (R410A) furnished oz.¹	99	105	116	118	139	108	217
Compressor Type	Scroll						
Outdoor Coil							
Net face area – Outer Coil ft ²	9.1	11.1	17.3	19.8	19.8	24.2	28.3
Net face area – Inner Coil	—	—	—	—	—	—	—
Tube diameter – in.	3/8	3/8	3/8	3/8	3/8	3/8	3/8
Number of rows	1	1	1	1	1	1	1
Fins per inch	20	20	20	20	20	20	20
Outdoor Fan							
Diameter – in.	20	20	24	24	24	26	26
Number of blades	2	3	3	3	3	3	3
Motor hp	1/8	1/8	1/5	1/3	1/5	1/3	1/5
CFM	2411	2478	3852	3120	3815	4380	3655
RPM	1077	1075	825	910	825	870	850
watts	151	138	197	135	202	266	274
Shipping weight – lbs.	156	159	167	179	187	215	243
Operating weight – lbs.	133	152	160	172	180	208	236

Electrical Data							
Line Voltage Data (Volts-Phase-Hz)	208/230-1-60	208/230-1-60	208/230-1-60	208/230-1-60	208/230-1-60	208/230-1-60	208/230-1-60
Maximum overcurrent protection (amps)²	15	25	25	35	40	40	50
Minimum circuit ampacity³	12	15	18	23	24	26	31
Compressor							
Rated load amps	9	10.9	12.8	15.4	17.9	18.5	23.7
Locked rotor amps	47.5	62.9	67.8	83.9	112	124	152.5
Condenser Fan Motor							
Full load amps	0.7	0.7	1	2.8	1	2.8	1
Locked rotor amps	1.2	1.3	1.2	—	1.2	—	2.3
Line Voltage Data (Volts-Phase-Hz)	—	—	—	208/230-3-60	208/230-3-60	208/230-3-60	208/230-3-60
Maximum overcurrent protection (amps) ²	—	—	—	25	30	30	35
Minimum circuit ampacity ³	—	—	—	16	18	21	21
Compressor							
Rated load amps	—	—	—	10.4	13.5	13.8	15.9
Locked rotor amps	—	—	—	73	88	83.1	110
Condenser Fan Motor							
Full load amps	—	—	—	2.8	1	2.8	1
Locked rotor amps	—	—	—	—	1.5	—	2.3

¹Refrigerant charge sufficient for 15 ft. length of refrigerant lines. For longer line set requirements see the installation instructions for information about set length and additional refrigerant charge required.

²HACR type circuit breaker or fuse.

³Refer to National Electrical Code manual to determine wire, fuse and disconnect size requirements.

Accessories

Model No.		RP1518	RP1524	RP1530	RP1536	RP1542	RP1548	RP1560
Compressor crankcase heater		44-17402-44	44-17402-44	44-17402-44	44-17402-44	44-17402-45	Factory Standard	Factory Standard
Low ambient control		RXAD-A08	RXAD-A08	RXAD-A08	RXAD-A08	RXAD-A08	RXAD-A08	RXAD-A08
Compressor sound cover		68-23427-26	68-23427-26	68-23427-26	68-23427-26	68-23427-25	68-23427-25	68-23427-25
Compressor hard start kit		SK-A1	SK-A1	SK-A1	SK-A1	SK-A1	SK-A1	SK-A1
Low pressure control*		Factory Standard	Factory Standard	Factory Standard	Factory Standard	Factory Standard	Factory Standard	Factory Standard
High pressure control*		Factory Standard	Factory Standard	Factory Standard	Factory Standard	Factory Standard	Factory Standard	Factory Standard
Liquid Line Solenoid (24 VAC, 50/60 Hz)	Solenoid Valve	200RD2T3TVLC	200RD2T3TVLC	200RD2T3TVLC	200RD2T3TVLC	200RD2T3TVLC	200RD3T3TVLC	200RD3T3TVLC
	Solenoid Coil	61-AMG24V	61-AMG24V	61-AMG24V	61-AMG24V	61-AMG24V	61-AMG24V	61-AMG24V
	Bi-flow kit*	KS30387	KS30387	KS30387	KS30387	KS30387	KS30387	KS30387
Liquid Line Solenoid (120/240 VAC, 50/60 Hz)	Solenoid Valve	200RD2T3TVLC	200RD2T3TVLC	200RD2T3TVLC	200RD2T3TVLC	200RD2T3TVLC	200RD3T3TVLC	200RD3T3TVLC
	Solenoid Coil	61-AMG120/240V	61-AMG120/240V	61-AMG120/240V	61-AMG120/240V	61-AMG120/240V	61-AMG120/240V	61-AMG120/240V
	Bi-flow kit*	KS30387	KS30387	KS30387	KS30387	KS30387	KS30387	KS30387
Achiever Top Cap w/Label		91-101123-21	91-101123-21	91-101123-21	91-101123-21	91-101123-21	91-101123-21	91-101123-21
Heat Pump Riser – 6 inch		686020	686020	686020	686020	686020	686020	686020

*Bi-flow kits are required when installing a liquid line solenoid on a heat pump.

Weighted Sound Power Level (dBA)

Unit Size – Voltage, Series	Standard Rating (dBA)	TYPICAL OCTAVE BAND SPECTRUM (dBA without tone adjustment)						
		125	250	500	1000	2000	4000	8000
RP1518B	75.2	53.8	60.2	64.3	66	62.5	57.6	53.5
RP1524B	75.8	53.9	60.6	65.8	66.4	63.0	57.8	50.2
RP1530B	73.3	51.8	56.6	63.4	62.9	60.8	55.9	51.5
RP1536A	74.7	48.9	54.3	63.1	66.4	62.2	53.2	53.2
RP1542A	74.1	52.9	55.9	64	63.5	61.4	58	52.1
RP1548A	76.5	55.8	59	68.2	66.3	64.3	60.5	55.4
RP1560A	73.9	58.9	55.7	63.4	63.3	61.5	58.6	56.4

NOTE: Tested in accordance with AHRI Standard 270-08 (not listed in AHRI)

Thermostats



200-Series *
Programmable



300-Series *
Deluxe
Programmable

400-Series *
Special Applications/
Programmable



500-Series *
Communicating/
Programmable

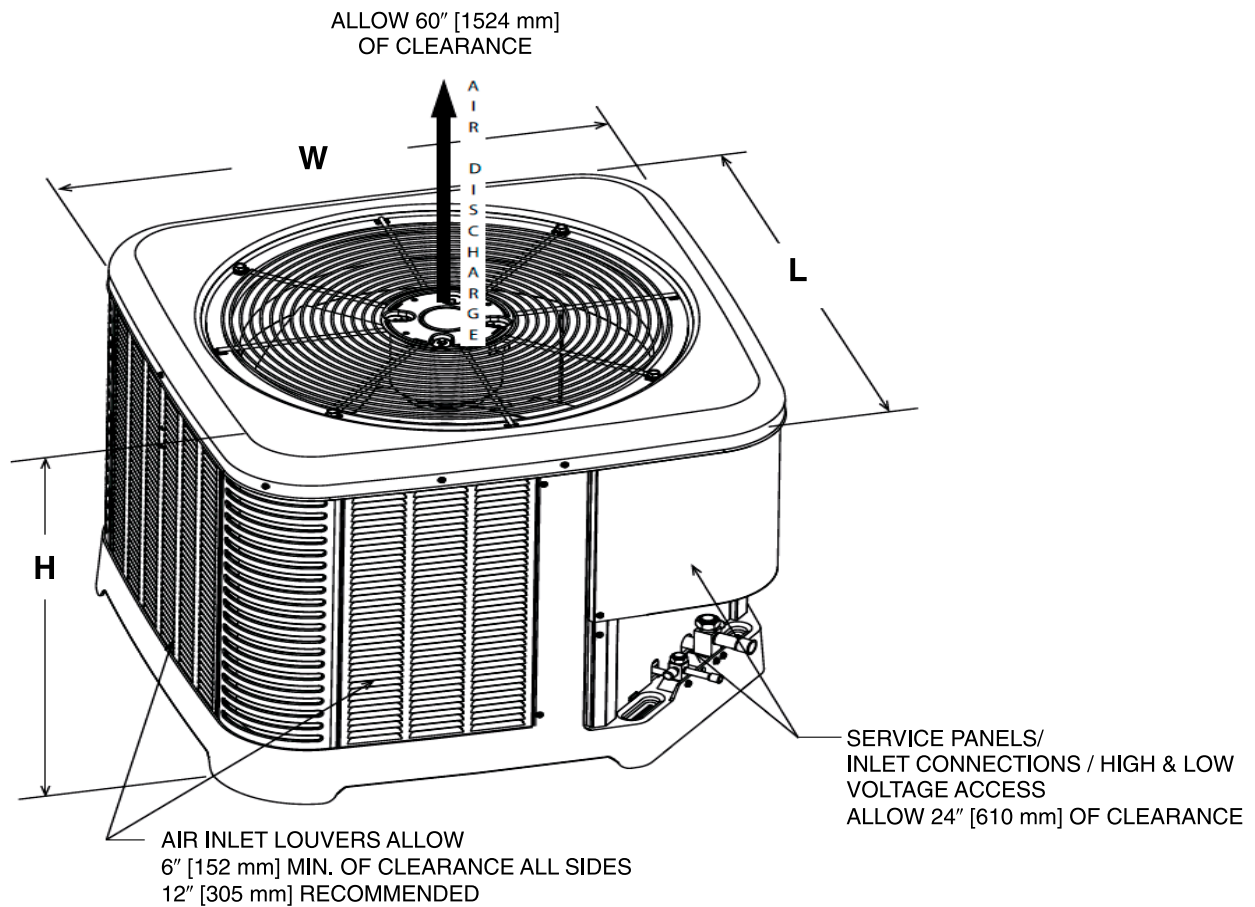
Brand	Descriptor (3 Characters)	Series (3 Characters)	System (2 Characters)	Type (2 Characters)
UHC	TST	213	UN	MS
UHC=Ruud	TST=Thermostat	200=Programmable 300=Deluxe Programmable 400=Special Applications/ Programmable 500=Communicating/ Programmable	GE=Gas/Electric UN=Universal (AC/HP/GE) MD=Modulating Furnace DF=Dual Fuel CM=Communicating	SS=Single-Stage MS=Multi-Stage

* Photos are representative. Actual models may vary.

For detailed thermostat match-up information,
see specification sheet form number T22-001.

Unit Dimensions

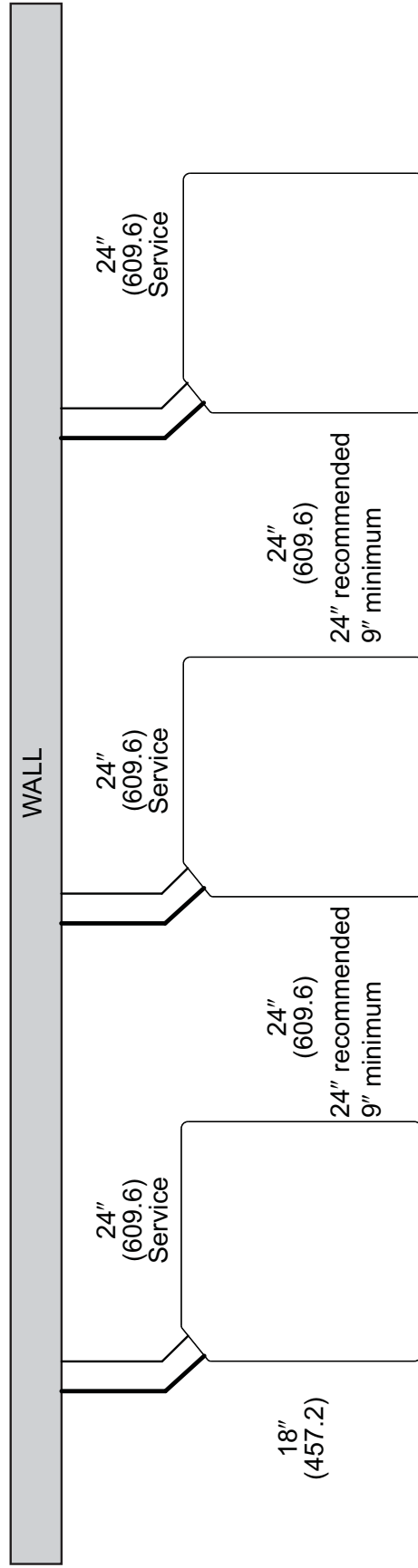
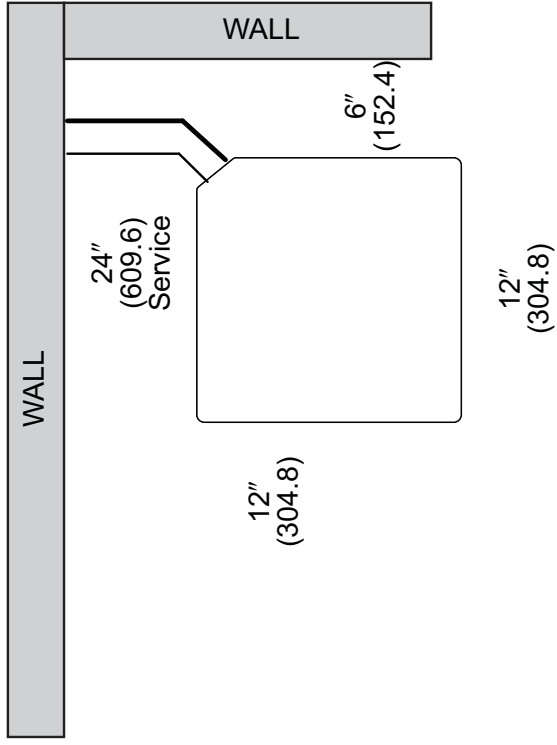
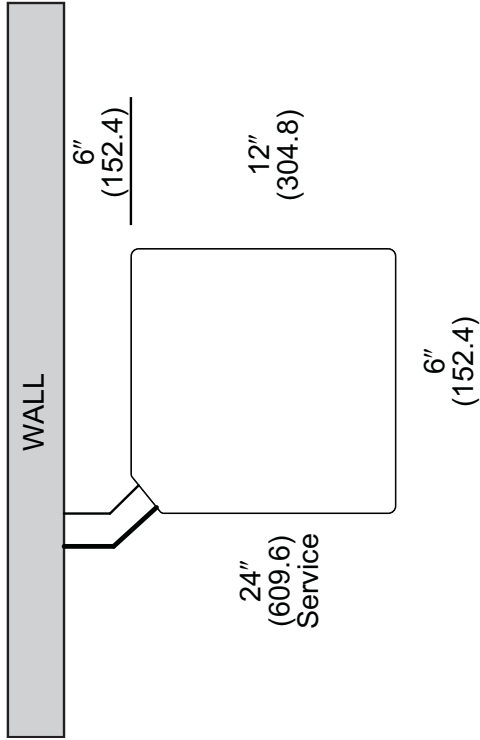
MODEL NUMBER	OPERATING						SHIPPING					
	H (Height)		L (Length)		W (Width)		H (Height)		L (Length)		W (Width)	
	INCHES	mm	INCHES	mm	INCHES	mm	INCHES	mm	INCHES	mm	INCHES	mm
RP1518B	25	635	29.75	755	29.75	755	26.75	679	32.38	822	32.38	822
RP1524B	25	635	29.75	755	29.75	755	26.75	679	32.38	822	32.38	822
RP1530B	31	787	33.75	857	33.75	857	32.75	831	32.38	822	32.38	822
RP1536A	35	889	33.75	857	33.75	857	36.75	933	36.38	924	36.38	924
RP1542A	35	889	33.75	857	33.75	857	36.75	933	36.38	924	36.38	924
RP1548A	39	990	35.75	908	35.75	908	40.75	1035	38.38	974	38.38	974
RP1560A	45	1143	35.75	908	35.75	908	46.75	1187	38.38	974	38.38	974



[] Designates Metric Conversions

ST-A1226-02-00

CLEARANCES

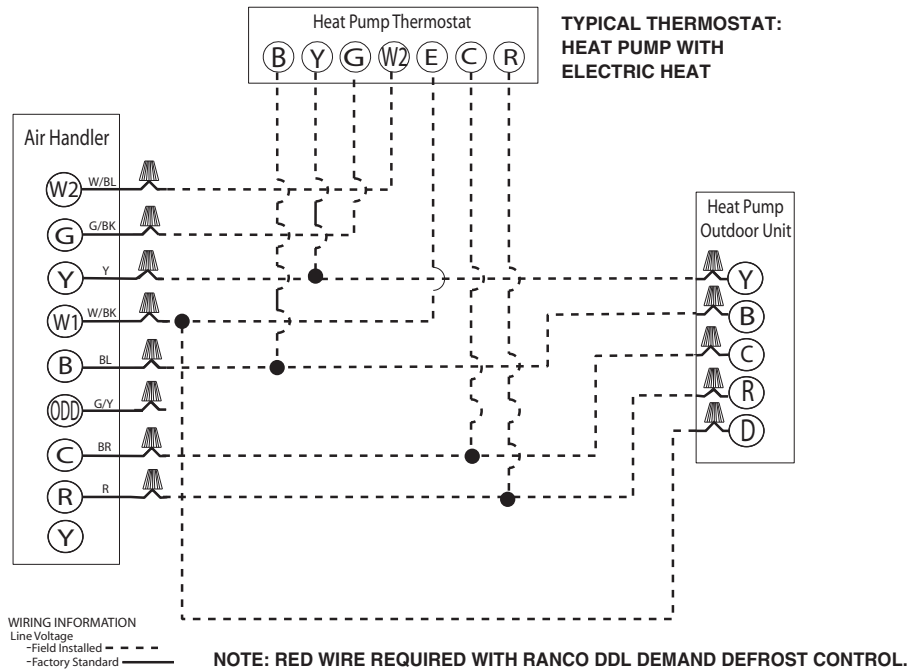


NOTE: NUMBERS IN () = mm

IMPORTANT: When installing multiple units in an alcove, roof well or partially enclosed area, ensure there is adequate ventilation to prevent re-circulation of discharge air.

Control Wiring

FIGURE 4
CONTROL WIRING FOR AIR HANDLER



NOTES:

1. Jumper "E" to "W2" to transfer control of supplemental heat to 1st stage when the emergency heat switch is on.
2. This wire turns on heat for defrost, omit for most economical operation.
3. Wire with colored tracing stripe.

Application Guidelines

1. Intended for outdoor installation with free air inlet and outlet. Outdoor fan external static pressure available is less than 0.01 -in. wc.
2. Minimum outdoor operation air temperature for cooling mode without low-ambient operation accessory is 55°F (12.8°C).
3. Maximum outdoor operating air temperature is 125°F (51.7°C).
4. For reliable operation, unit should be level in all horizontal planes.
5. Use only copper wire for electric connections at unit. Aluminum and clad aluminum are not acceptable for the type of connector provided.
6. Do not apply capillary tube indoor coils to these units.
7. Factory – supplied filter drier must be installed.

Heat Pump Refrigerant Line Size Information (con't.)

R-410A System Capacity Model	Vapor Line Connection Size (Inch I.D.) [mm]	Vapor Line Size (Inch O.D.) [mm]	Vapor Line Selection Chart Capacity Multiplier Table																	
			Total Equivalent Length - Feet [m]																	
			25 [7.62]	50 [15.24]	75 [22.86]	100 [30.48]	125 [45.72]	150 [45.72]	175 [53.34]	200 [60.96]	225 [68.58]	250 [76.20]	275 [83.82]	300 [91.44]						
18A	3/4" [19.06]	5/8 [15.88]	1.00	1.00	1.00	0.99	0.99	0.98	0.98	0.98	0.98	0.98	0.98	0.97	0.97	0.97	0.97	0.97	0.97	
		3/4 [19.05]	1.00	1.00	1.00	1.00	1.00	1.00	1.00	1.00	1.00	1.00	1.00	1.00	1.00	1.00	1.00	1.00	1.00	
		7/8 [22.23]	N/R	N/R	N/R	N/R	N/R	N/R	N/R	N/R	N/R	N/R	N/R	N/R	N/R	N/R	N/R	N/R	N/R	N/R
		1 [25.4]	N/R	N/R	N/R	N/R	N/R	N/R	N/R	N/R	N/R	N/R	N/R	N/R	N/R	N/R	N/R	N/R	N/R	N/R
		1-1/8 [28.58]	N/R	N/R	N/R	N/R	N/R	N/R	N/R	N/R	N/R	N/R	N/R	N/R	N/R	N/R	N/R	N/R	N/R	N/R
18B	3/4" [19.06]	5/8 [15.88]	1.00	0.99	0.99	0.98	0.98	0.98	0.98	0.98	0.98	0.98	0.98	0.97	0.97	0.97	0.97	0.97	0.96	
		3/4 [19.05]	1.00	1.00	1.00	1.00	1.00	1.00	1.00	1.00	1.00	1.00	1.00	1.00	1.00	1.00	1.00	1.00	0.99	
		7/8 [22.23]	N/R	N/R	N/R	N/R	N/R	N/R	N/R	N/R	N/R	N/R	N/R	N/R	N/R	N/R	N/R	N/R	N/R	N/R
		1 [25.4]	N/R	N/R	N/R	N/R	N/R	N/R	N/R	N/R	N/R	N/R	N/R	N/R	N/R	N/R	N/R	N/R	N/R	N/R
		1-1/8 [28.58]	N/R	N/R	N/R	N/R	N/R	N/R	N/R	N/R	N/R	N/R	N/R	N/R	N/R	N/R	N/R	N/R	N/R	N/R
24A	3/4" [19.06]	5/8 [15.88]	1.00	0.99	0.98	0.98	0.98	0.98	0.97	0.97	0.97	0.96	0.96	0.96	0.95	0.95	0.94	0.94	0.93	
		3/4 [19.05]	1.00	1.00	1.00	0.99	0.99	0.99	0.99	1.00	1.00	1.00	1.00	1.00	1.00	1.00	1.00	1.00	0.99	
		7/8 [22.23]	1.00	1.00	1.00	1.00	1.00	1.00	1.00	1.00	1.00	1.00	1.00	1.00	1.00	1.00	1.00	1.01	1.01	
		1 [25.4]	N/R	N/R	N/R	N/R	N/R	N/R	N/R	N/R	N/R	N/R	N/R	N/R	N/R	N/R	N/R	N/R	N/R	N/R
		1-1/8 [28.58]	N/R	N/R	N/R	N/R	N/R	N/R	N/R	N/R	N/R	N/R	N/R	N/R	N/R	N/R	N/R	N/R	N/R	N/R
24B	3/4" [19.06]	5/8 [15.88]	0.99	0.99	0.98	0.98	0.98	0.97	0.97	0.97	0.97	0.96	0.96	0.96	0.95	0.95	0.94	0.94	0.94	
		3/4 [19.05]	1.00	1.00	1.00	1.00	1.00	1.00	1.00	1.00	1.00	1.00	1.00	1.00	1.00	1.00	1.00	1.00	0.99	
		7/8 [22.23]	1.00	1.00	1.00	1.00	1.01	1.01	1.01	1.01	1.01	1.01	1.00	1.00	1.00	1.00	1.01	1.01	1.01	
		1 [25.4]	N/R	N/R	N/R	N/R	N/R	N/R	N/R	N/R	N/R	N/R	N/R	N/R	N/R	N/R	N/R	N/R	N/R	N/R
		1-1/8 [28.58]	N/R	N/R	N/R	N/R	N/R	N/R	N/R	N/R	N/R	N/R	N/R	N/R	N/R	N/R	N/R	N/R	N/R	N/R
30A	3/4" [19.06]	5/8 [15.88]	0.99	0.98	0.97	0.95	0.95	0.94	0.94	0.94	0.94	0.93	0.93	0.92	0.91	0.91	0.90	0.88	0.88	
		3/4 [19.05]	1.00	1.00	0.99	0.98	0.98	0.98	0.98	0.98	0.97	0.97	0.97	0.97	0.97	0.96	0.96	0.96	0.95	
		7/8 [22.23]	1.00	1.00	1.00	1.00	1.00	1.00	1.00	1.00	1.00	0.99	0.99	0.98	0.98	0.98	0.98	0.98	0.98	
		1 [25.4]	1.00	1.00	1.00	1.00	1.00	1.00	1.00	1.00	1.00	1.00	1.00	1.00	1.00	1.00	1.00	0.99	0.99	
		1-1/8 [28.58]	N/R	N/R	N/R	N/R	N/R	N/R	N/R	N/R	N/R	N/R	N/R	N/R	N/R	N/R	N/R	N/R	N/R	N/R
30B	3/4" [19.06]	5/8 [15.88]	0.99	0.98	0.97	0.96	0.96	0.96	0.96	0.96	0.95	0.95	0.94	0.92	0.92	0.91	0.90	0.89	0.89	
		3/4 [19.05]	1.00	0.99	0.99	0.99	0.99	0.99	0.97	0.97	0.97	0.97	0.98	0.98	0.97	0.97	0.96	0.96	0.96	
		7/8 [22.23]	1.00	0.99	1.00	1.00	1.00	1.00	1.00	0.99	0.99	0.99	0.99	0.99	0.99	0.98	0.98	0.98	0.98	
		1 [25.4]	N/R	N/R	N/R	N/R	N/R	N/R	N/R	N/R	N/R	N/R	N/R	N/R	N/R	N/R	N/R	N/R	N/R	N/R
		1-1/8 [28.58]	N/R	N/R	N/R	N/R	N/R	N/R	N/R	N/R	N/R	N/R	N/R	N/R	N/R	N/R	N/R	N/R	N/R	N/R
36A	3/4" [19.06]	5/8 [15.88]	1.00	0.97	0.97	0.95	0.95	0.94	0.94	0.93	0.93	0.91	0.92	0.91	0.88	0.87	0.86	0.86	0.86	
		3/4 [19.05]	1.00	1.00	0.99	0.98	0.98	0.98	0.98	0.99	0.98	0.98	0.97	0.97	0.96	0.96	0.96	0.95	0.95	
		7/8 [22.23]	1.01	1.01	1.01	1.00	1.00	1.00	1.00	1.00	1.00	1.00	1.00	1.00	1.00	0.99	0.99	0.98	0.98	
		1 [25.4]	1.01	1.01	1.01	1.01	1.01	1.01	1.01	1.01	1.01	1.01	1.01	1.01	1.00	1.00	1.00	1.01	1.01	
		1-1/8 [28.58]	N/R	N/R	N/R	N/R	N/R	N/R	N/R	N/R	N/R	N/R	N/R	N/R	N/R	N/R	N/R	N/R	N/R	N/R

NOTES:
N/R = Application not recommended.
All calculations assume a 3/8" liquid line

[] Designates Metric Conversions

Heat Pump Refrigerant Line Size Information (con't.)

R-410A System Capacity Model	Vapor Line Connection Size (Inch I.D.) [mm]	Vapor Line Size (Inch O.D.) [mm]	Vapor Line Selection Chart Capacity Multiplier Table														
			Total Equivalent Length - Feet [m]														
			25 [7.62]	50 [15.24]	75 [22.86]	100 [30.48]	125 [45.72]	150 [45.72]	175 [53.34]	200 [60.96]	225 [68.58]	250 [76.20]	275 [83.82]	300 [91.44]			
42A	7/8" [22.23]	5/8 [15.88]	1.00	0.98	0.96	0.95	0.94	0.92	0.91	0.89	0.88	0.87	0.86	0.85			
			1.01	1.01	1.00	0.99	0.99	0.98	0.97	0.97	0.96	0.95	0.95	0.94			
			1.00	1.01	1.01	1.01	1.01	1.01	1.01	1.00	0.99	1.00	1.00	1.00	0.99		
			1.03	1.02	1.02	1.02	1.02	1.01	1.01	1.01	1.01	1.01	1.01	1.01	1.01		
			1.03	1.03	1.02	1.02	1.02	1.02	1.02	1.02	1.02	1.02	1.02	1.01	1.01		
48A	7/8" [22.23]	5/8 [15.88]	0.99	0.96	0.94	0.92	0.91	0.89	0.87	0.86	0.84	0.83	0.82	0.80			
			1.01	1.00	0.99	0.97	0.97	0.96	0.95	0.94	0.94	0.93	0.92	0.92			
			1.00	1.01	1.01	1.00	1.00	0.99	0.99	0.99	0.98	0.98	0.97	0.97			
			N/R	N/R	N/R	N/R	N/R	N/R	N/R	N/R	N/R	N/R	N/R	N/R	N/R		
			N/R	N/R	N/R	N/R	N/R	N/R	N/R	N/R	N/R	N/R	N/R	N/R	N/R		
60A	7/8" [22.23]	5/8 [15.88]	0.79	0.99	0.95	0.93	0.91	0.89	0.89	0.89	0.89	0.89	0.89	0.89			
			0.90	1.01	1.00	0.99	0.97	0.96	0.96	0.96	0.96	0.96	0.96	0.96			
			1.00	1.01	1.01	1.01	1.00	1.00	1.00	1.00	1.00	1.00	1.00	1.00			
			1.00	1.02	1.01	1.01	1.01	1.01	1.01	1.01	1.01	1.01	1.01	1.01			
			N/R	N/R	N/R	N/R	N/R	N/R	N/R	N/R	N/R	N/R	N/R	N/R	N/R		

NOTES:
 N/R = Application not recommended.
 All calculations assume a 3/8" liquid line

[J] Designates Metric Conversions

Performance Data @ AHRI Standard Conditions – Heat Pump

High Sales Volume Tested Combination (HSVTC)													
Outdoor Unit	Air Handler	Total Capacity BTU/H [kW]	Net Sensible BTU/H [kW]	Net Latent BTU/H [kW]	SEER	EER	Indoor CFM [L/s]	47 Degree Heating Capacity BTU/H [kW]	47 Degree COP	17 Degree Heating Capacity BTU/H [kW]	17 Degree COP	Region IV HSPF	AHRI#
RP1518BJ1	RH1T2417STAN	18500 [5.4]	14500 [4.2]	4000 [1.2]	16.00	13.00	650 [306.8]	15700 [4.6]	3.60	9100 [2.7]	2.40	9.00	8224074
RP1524BJ1	RH1T2417STAN	24000 [7.0]	17900 [5.2]	6100 [1.8]	15.50	13.00	800 [377.6]	22000 [6.4]	3.70	13500 [4.0]	2.50	9.00	8171209
RP1530BJ1	RH1T3617STAN	29400 [8.6]	22500 [6.6]	6900 [2.0]	15.50	13.00	1025 [483.7]	27000 [7.9]	3.70	16600 [4.9]	2.40	9.00	8224170
RP1536AC1	RH1T3617STAN	35600 [10.4]	26400 [7.7]	9200 [2.7]	15.00	12.50	1175 [554.5]	33800 [9.9]	3.66	22200 [6.5]	2.66	9.00	7512069
RP1536AJ1	RH1T3617STAN	35600 [10.4]	26400 [7.7]	9200 [2.7]	15.00	12.50	1175 [554.5]	33800 [9.9]	3.66	22200 [6.5]	2.66	9.00	7512115
RP1542AC1	RH1T4821STAN	42500 [12.5]	30500 [8.9]	12000 [3.5]	15.00	12.50	1350 [637.1]	40000 [11.7]	3.76	25600 [7.5]	2.60	9.00	7512302
RP1542AJ1	RH1T4821STAN	42500 [12.5]	30500 [8.9]	12000 [3.5]	15.00	12.50	1350 [637.1]	40000 [11.7]	3.76	25600 [7.5]	2.60	9.00	7512350
RP1548AC1	RH1T4821STAN	47000 [13.8]	34100 [10.0]	12900 [3.8]	15.00	12.50	1500 [707.9]	44500 [13.0]	3.66	28800 [8.4]	2.60	9.00	7512150
RP1548AJ1	RH1T4821STAN	47000 [13.8]	34100 [10.0]	12900 [3.8]	15.00	12.50	1500 [707.9]	44500 [13.0]	3.66	28800 [8.4]	2.60	9.00	7512187
RP1560AC1	RH1T6024STAN	58000 [17.0]	42400 [12.4]	15600 [4.6]	15.00	12.50	1775 [837.7]	56000 [16.4]	3.76	35600 [10.4]	2.66	9.00	7512221
RP1560AJ1	RH1T6024STAN	58000 [17.0]	42400 [12.4]	15600 [4.6]	15.00	12.50	1775 [837.7]	56000 [16.4]	3.76	35600 [10.4]	2.66	9.00	7512254

Coil Only Ratings													
Outdoor Unit	Indoor Coil	Total Capacity BTU/H [kW]	Net Sensible BTU/H [kW]	Net Latent BTU/H [kW]	SEER	EER	Indoor CFM [L/s]	47 Degree Heating Capacity BTU/H [kW]	47 Degree COP	17 Degree Heating Capacity BTU/H [kW]	17 Degree COP	Region IV HSPF	AHRI#
RP1518BJ1	RCF2417STAM+RXMD-C04	18000 [5.3]	13700 [4.0]	4300 [1.3]	14.00	11.50	650 [306.8]	17000 [5.0]	3.50	10400 [3.0]	2.40	9.00	8224072
RP1524BJ1	RCF2417STAM+RXMD-C04	23400 [6.9]	16900 [5.0]	6500 [1.9]	14.00	11.50	800 [377.6]	23200 [6.8]	3.50	14700 [4.3]	2.46	8.50	8171206
RP1530BJ1	RCF3617STAM+RXMD-C04	28600 [8.4]	21100 [6.2]	7500 [2.2]	14.00	11.50	1050 [495.5]	28400 [8.3]	3.54	18100 [5.3]	2.34	8.50	8224109
RP1530BJ1	RCF3621STAM+RXMD-C04	28600 [8.4]	21100 [6.2]	7500 [2.2]	14.00	11.50	1050 [495.5]	28600 [8.4]	3.60	18200 [5.3]	2.40	8.50	8224167
RP1536AC1	RCF3617STAM+RXMD-C04	34400 [10.1]	23800 [7.0]	10600 [3.1]	14.00	11.50	1075 [507.3]	33000 [9.7]	3.34	22000 [6.4]	2.46	8.50	7512039
RP1536AJ1	RCF3621STAM+RXMD-C04	34800 [10.2]	24600 [7.2]	10200 [3.0]	14.00	11.50	1150 [542.7]	31800 [9.3]	3.20	21000 [6.2]	2.34	8.20	7512066
RP1536AJ1	RCF3617STAM+RXMD-C04	34400 [10.1]	23800 [7.0]	10600 [3.1]	14.00	11.50	1075 [507.3]	33000 [9.7]	3.34	22000 [6.4]	2.46	8.50	7512085
RP1542AC1	RCF3621STAM+RXMD-C04	34800 [10.2]	24600 [7.2]	10200 [3.0]	14.00	11.50	1150 [542.7]	31800 [9.3]	3.20	21000 [6.2]	2.34	8.20	7512112
RP1542AC1	RCF4821STAM+RXMD-C04	41500 [12.2]	28600 [8.4]	12900 [3.8]	14.00	11.50	1350 [637.1]	40000 [11.7]	3.50	25800 [7.6]	2.46	8.50	7512276
RP1542AJ1	RCF4824STAM+RXMD-C04	41500 [12.2]	28600 [8.4]	12900 [3.8]	14.00	11.50	1350 [637.1]	39500 [11.6]	3.46	25600 [7.5]	2.46	8.50	7512301
RP1542AJ1	RCF4821STAM+RXMD-C04	41500 [12.2]	28600 [8.4]	12900 [3.8]	14.00	11.50	1350 [637.1]	40000 [11.7]	3.50	25800 [7.6]	2.46	8.50	7512324
RP1548AC1	RCF4824STAM+RXMD-C04	41500 [12.2]	28600 [8.4]	12900 [3.8]	14.00	11.50	1350 [637.1]	39500 [11.6]	3.46	25600 [7.5]	2.46	8.50	7512349
RP1548AC1	RCF4821STAM+RXMD-C04	45500 [13.3]	30600 [9.0]	14900 [4.4]	14.50	12.00	1375 [648.9]	43000 [12.6]	3.30	28000 [8.2]	2.34	8.50	7512130
RP1548AJ1	RCF4824STAM+RXMD-C04	45500 [13.3]	30600 [9.0]	14900 [4.4]	14.50	12.00	1375 [648.9]	42500 [12.5]	3.30	27800 [8.1]	2.34	8.50	7512148
RP1548AJ1	RCF4821STAM+RXMD-C04	45500 [13.3]	30600 [9.0]	14900 [4.4]	14.50	12.00	1375 [648.9]	43000 [12.6]	3.30	28000 [8.2]	2.34	8.50	7512167
RP1560AC1	RCF6024HTAM+RXMD-C04	56500 [16.6]	37800 [11.1]	18700 [5.5]	14.00	11.50	1600 [755.1]	56000 [16.4]	3.60	35600 [10.4]	2.54	8.50	7512185
RP1560AJ1	RCF6024STAM+RXMD-C04	56500 [16.6]	37800 [11.1]	18700 [5.5]	14.00	11.50	1600 [755.1]	56000 [16.4]	3.60	35600 [10.4]	2.54	8.50	7512204
RP1560AJ1	RCF6024HTAM+RXMD-C04	56500 [16.6]	37800 [11.1]	18700 [5.5]	14.00	11.50	1600 [755.1]	56000 [16.4]	3.60	35600 [10.4]	2.54	8.50	7512220
RP1560AJ1	RCF6024STAM+RXMD-C04	56500 [16.6]	37800 [11.1]	18700 [5.5]	14.00	11.50	1600 [755.1]	56000 [16.4]	3.60	35600 [10.4]	2.54	8.50	7512237
RP1560AJ1	RCF6024STAM+RXMD-C04	56500 [16.6]	37800 [11.1]	18700 [5.5]	14.00	11.50	1600 [755.1]	56000 [16.4]	3.60	35600 [10.4]	2.54	8.50	7512253

[] Designates Metric Conversions

Performance Data @ AHRI Standard Conditions – Heat Pump (con't.)

R801T: Achiever Plus Single-Stage X-13 80% Furnace Ratings														
Outdoor Unit	Furnace	Indoor Coil	Total Capacity BTU/H [kW]	Net Sensible BTU/H [kW]	Net Latent BTU/H [kW]	SEER	EER	Indoor CFM [L/s]	47 Degree Heating Capacity BTU/H [kW]	47 Degree COP	17 Degree Heating Capacity BTU/H [kW]	17 Degree COP	Region IV HSPF	AHRI#
RP1518B.J1	R801TA050314MSA	RCF2417STAM	18000 [5.3]	14000 [4.1]	4000 [1.2]	16.00	13.00	625 [295.0]	15500 [4.5]	3.60	9000 [2.6]	2.34	9.00	8224047
RP1518B.J1	R801TA050314MXA	RCF2417STAM	18000 [5.3]	14000 [4.1]	4000 [1.2]	16.00	13.00	625 [295.0]	15500 [4.5]	3.60	9000 [2.6]	2.34	9.00	8224048
RP1518B.J1	R801TA075317ZSA	RCF2417STAM	18000 [5.3]	14000 [4.1]	4000 [1.2]	16.00	13.00	650 [306.8]	15700 [4.6]	3.60	9200 [2.7]	2.40	9.00	8224049
RP1518B.J1	R801TA075317ZXA	RCF2417STAM	18000 [5.3]	14000 [4.1]	4000 [1.2]	16.00	13.00	650 [306.8]	15700 [4.6]	3.60	9200 [2.7]	2.40	9.00	8224050
RP1524B.J1	R801TA050314MSA	RCF2417STAM	24000 [7.0]	17900 [5.2]	6100 [1.8]	15.50	13.00	825 [389.4]	22000 [6.4]	3.66	13500 [4.0]	2.46	9.00	8410134
RP1524B.J1	R801TA050314MXA	RCF2417STAM	24000 [7.0]	17900 [5.2]	6100 [1.8]	15.50	13.00	825 [389.4]	22000 [6.4]	3.66	13500 [4.0]	2.46	9.00	8410135
RP1524B.J1	R801TA075317ZSA	RCF2417STAM	24000 [7.0]	17900 [5.2]	6100 [1.8]	15.00	12.50	850 [401.2]	22000 [6.4]	3.66	13600 [4.0]	2.46	9.00	8171182
RP1524B.J1	R801TA075317ZSB	RCF2417STAM	24000 [7.0]	17900 [5.2]	6100 [1.8]	15.50	12.50	850 [401.2]	22000 [6.4]	3.66	13600 [4.0]	2.46	9.00	8443932
RP1524B.J1	R801TA075317ZXA	RCF2417STAM	24000 [7.0]	17900 [5.2]	6100 [1.8]	15.50	12.50	850 [401.2]	22000 [6.4]	3.66	13600 [4.0]	2.46	9.00	8443933
RP1524B.J1	R801TA075317ZXB	RCF2417STAM	24000 [7.0]	17900 [5.2]	6100 [1.8]	15.50	12.50	850 [401.2]	22000 [6.4]	3.66	13600 [4.0]	2.46	9.00	8443934
RP1524B.J1	R801TB075317ZSB	RCF2417STAM	24000 [7.0]	17900 [5.2]	6100 [1.8]	15.00	12.50	850 [401.2]	22000 [6.4]	3.66	13600 [4.0]	2.46	9.00	8410136
RP1524B.J1	R801TB075317ZXB	RCF2417STAM	24000 [7.0]	17900 [5.2]	6100 [1.8]	15.50	12.50	850 [401.2]	22000 [6.4]	3.66	13600 [4.0]	2.46	9.00	8443935
RP1530B.J1	R801TA050314MSA	RCF3617STAM	29000 [8.5]	21900 [6.4]	7100 [2.1]	15.00	12.50	1000 [471.9]	27200 [8.0]	3.66	16700 [4.9]	2.34	8.50	8224077
RP1530B.J1	R801TA050314MXA	RCF3617STAM	29000 [8.5]	21900 [6.4]	7100 [2.1]	15.00	12.50	1000 [471.9]	27200 [8.0]	3.66	16700 [4.9]	2.34	8.50	8224078
RP1530B.J1	R801TA075317ZSA	RCF3617STAM	29200 [8.6]	22300 [6.5]	6900 [2.0]	15.00	12.50	1050 [495.5]	27200 [8.0]	3.66	16900 [5.0]	2.34	8.50	8224079
RP1530B.J1	R801TA075317ZSA	RCF3621STAM	29200 [8.6]	22300 [6.5]	6900 [2.0]	15.00	12.50	1050 [495.5]	27200 [8.0]	3.66	16900 [5.0]	2.34	8.50	8224110
RP1530B.J1	R801TA075317ZXA	RCF3617STAM	29200 [8.6]	22300 [6.5]	6900 [2.0]	15.00	12.50	1050 [495.5]	27200 [8.0]	3.66	16900 [5.0]	2.34	8.50	8224080
RP1530B.J1	R801TA075317ZXA	RCF3621STAM	29200 [8.6]	22300 [6.5]	6900 [2.0]	15.00	12.50	1050 [495.5]	27200 [8.0]	3.66	16900 [5.0]	2.34	8.50	8224111
RP1530B.J1	R801TA075417MSA	RCF3617STAM	29000 [8.5]	21800 [6.4]	7200 [2.1]	15.50	13.00	975 [460.1]	27000 [7.9]	3.70	16600 [4.9]	2.34	8.50	8224081
RP1530B.J1	R801TA075417MSA	RCF3621STAM	29200 [8.6]	22100 [6.5]	7100 [2.1]	15.50	13.00	1000 [471.9]	27000 [7.9]	3.70	16700 [4.9]	2.40	9.00	8224112
RP1530B.J1	R801TA075417MXA	RCF3617STAM	29000 [8.5]	21800 [6.4]	7200 [2.1]	15.50	13.00	975 [460.1]	27000 [7.9]	3.70	16600 [4.9]	2.34	8.50	8224082
RP1530B.J1	R801TA075417MXA	RCF3621STAM	29200 [8.6]	22100 [6.5]	7100 [2.1]	15.50	13.00	1000 [471.9]	27000 [7.9]	3.70	16700 [4.9]	2.40	9.00	8224113
RP1530B.J1	R801TA075421MSA	RCF3621STAM	29200 [8.6]	22100 [6.5]	7100 [2.1]	15.50	13.00	1000 [471.9]	27000 [7.9]	3.76	16700 [4.9]	2.40	9.00	8224114
RP1530B.J1	R801TA075521ZSA	RCF3621STAM	29000 [8.5]	21700 [6.4]	7300 [2.1]	15.50	13.00	950 [448.4]	27000 [7.9]	3.76	16500 [4.8]	2.40	8.50	8224115
RP1530B.J1	R801TA075521ZXA	RCF3621STAM	29000 [8.5]	21700 [6.4]	7300 [2.1]	15.50	13.00	950 [448.4]	27000 [7.9]	3.76	16500 [4.8]	2.40	8.50	8224116
RP1530B.J1	R801TA100521MSA	RCF3621STAM	29200 [8.6]	22100 [6.5]	7100 [2.1]	15.50	13.00	1000 [471.9]	27000 [7.9]	3.76	16600 [4.9]	2.40	9.00	8224117
RP1530B.J1	R801TA100521MXA	RCF3621STAM	29200 [8.6]	22100 [6.5]	7100 [2.1]	15.50	13.00	1000 [471.9]	27000 [7.9]	3.76	16600 [4.9]	2.40	9.00	8224118
RP1530B.J1	R801TA100521ZSA	RCF3621STAM	29000 [8.5]	21700 [6.4]	7300 [2.1]	15.50	13.00	950 [448.4]	27000 [7.9]	3.76	16500 [4.8]	2.40	8.50	8224119
RP1530B.J1	R801TA100521ZXA	RCF3621STAM	29000 [8.5]	21700 [6.4]	7300 [2.1]	15.50	13.00	950 [448.4]	27000 [7.9]	3.76	16500 [4.8]	2.40	8.50	8224120
RP1536AC1	R801TA050314MSA	RCF3617STAM	35200 [10.3]	25900 [7.6]	9300 [2.7]	14.50	12.00	1175 [554.5]	34200 [10.0]	3.60	22400 [6.6]	2.60	9.00	7512026
RP1536AC1	R801TA050314MXA	RCF3617STAM	35200 [10.3]	25900 [7.6]	9300 [2.7]	14.50	12.00	1175 [554.5]	34200 [10.0]	3.60	22400 [6.6]	2.60	9.00	8056251
RP1536AC1	R801TA075317ZSA	RCF3617STAM	35200 [10.3]	26000 [7.6]	9200 [2.7]	14.00	11.50	1200 [566.3]	34200 [10.0]	3.54	22600 [6.6]	2.60	9.00	7512027
RP1536AC1	R801TA075317ZSA	RCF3621STAM	35200 [10.3]	26000 [7.6]	9200 [2.7]	14.50	12.00	1200 [566.3]	34200 [10.0]	3.60	22600 [6.6]	2.60	9.00	7512040
RP1536AC1	R801TA075317ZXA	RCF3617STAM	35200 [10.3]	26000 [7.6]	9200 [2.7]	14.00	11.50	1200 [566.3]	34200 [10.0]	3.54	22600 [6.6]	2.60	9.00	8056252
RP1536AC1	R801TA075317ZXA	RCF3621STAM	35200 [10.3]	26000 [7.6]	9200 [2.7]	14.50	12.00	1200 [566.3]	34200 [10.0]	3.60	22600 [6.6]	2.60	9.00	8056257

[] Designates Metric Conversions

Performance Data @ AHRI Standard Conditions – Heat Pump (con't.)

R801T: Achiever Plus Single-Stage X-13 80% Furnace Ratings														
Outdoor Unit	Furnace	Indoor Coil	Total Capacity BTU/H [kW]	Net Sensible BTU/H [kW]	Net Latent BTU/H [kW]	SEER	EER	Indoor CFM [L/s]	47 Degree Heating Capacity BTU/H [kW]	47 Degree COP	17 Degree Heating Capacity BTU/H [kW]	17 Degree COP	Region IV HSPF	AHRI#
RP1536AC1	R801TA075417M5A	RCF3617STAM	35600 [10.4]	26600 [7.8]	9000 [2.6]	14.50	12.00	1225 [578.1]	34200 [10.0]	3.60	22600 [6.6]	2.60	9.00	7512028
		RCF3621STAM	35400 [10.4]	26000 [7.6]	9400 [2.8]	15.00	12.50	1150 [542.7]	34000 [10.0]	3.66	22400 [6.6]	2.66	9.00	7512041
RP1536AC1	R801TA075417M5A	RCF3617STAM	35600 [10.4]	26600 [7.8]	9000 [2.6]	14.50	12.00	1225 [578.1]	34200 [10.0]	3.60	22600 [6.6]	2.60	9.00	8056253
		RCF3621STAM	35400 [10.4]	26000 [7.6]	9400 [2.8]	15.00	12.50	1150 [542.7]	34000 [10.0]	3.66	22400 [6.6]	2.66	9.00	8056258
RP1536AC1	R801TA075421M5A	RCF3621STAM	35400 [10.4]	26000 [7.6]	9400 [2.8]	15.00	12.50	1150 [542.7]	33800 [9.9]	3.66	22400 [6.6]	2.66	9.00	8087248
RP1536AC1	R801TA075521Z5A	RCF3621STAM	35400 [10.4]	26100 [7.6]	9300 [2.7]	14.50	12.00	1175 [554.5]	34000 [10.0]	3.66	22400 [6.6]	2.66	9.00	7512042
RP1536AC1	R801TA075521Z5A	RCF3621STAM	35400 [10.4]	26100 [7.6]	9300 [2.7]	14.50	12.00	1175 [554.5]	34000 [10.0]	3.66	22400 [6.6]	2.66	9.00	8056259
RP1536AC1	R801TA100521Z5A	RCF3621STAM	35400 [10.4]	26100 [7.6]	9300 [2.7]	15.00	12.50	1175 [554.5]	34000 [10.0]	3.66	22400 [6.6]	2.66	9.00	7512043
RP1536AC1	R801TA100521Z5A	RCF3621STAM	35400 [10.4]	26100 [7.6]	9300 [2.7]	15.00	12.50	1175 [554.5]	34000 [10.0]	3.66	22400 [6.6]	2.66	9.00	8056260
RP1536AJ1	R801TA050314M5A	RCF3617STAM	35200 [10.3]	25900 [7.6]	9300 [2.7]	14.50	12.00	1175 [554.5]	34200 [10.0]	3.60	22400 [6.6]	2.60	9.00	7512072
RP1536AJ1	R801TA050314M5A	RCF3617STAM	35200 [10.3]	25900 [7.6]	9300 [2.7]	14.50	12.00	1175 [554.5]	34200 [10.0]	3.60	22400 [6.6]	2.60	9.00	8056267
RP1536AJ1	R801TA075317Z5A	RCF3617STAM	35200 [10.3]	26000 [7.6]	9200 [2.7]	14.00	11.50	1200 [566.3]	34200 [10.0]	3.54	22600 [6.6]	2.60	9.00	7512073
RP1536AJ1	R801TA075317Z5A	RCF3621STAM	35200 [10.3]	26000 [7.6]	9200 [2.7]	14.50	12.00	1200 [566.3]	34200 [10.0]	3.60	22600 [6.6]	2.60	9.00	7512086
RP1536AJ1	R801TA075417M5A	RCF3617STAM	35200 [10.3]	26000 [7.6]	9200 [2.7]	14.00	11.50	1200 [566.3]	34200 [10.0]	3.60	22600 [6.6]	2.60	9.00	8056268
RP1536AJ1	R801TA075417M5A	RCF3621STAM	35200 [10.3]	26000 [7.6]	9200 [2.7]	14.50	12.00	1200 [566.3]	34200 [10.0]	3.60	22600 [6.6]	2.60	9.00	8056273
RP1536AJ1	R801TA075417M5A	RCF3617STAM	35600 [10.4]	26600 [7.8]	9000 [2.6]	14.50	12.00	1225 [578.1]	34200 [10.0]	3.60	22600 [6.6]	2.60	9.00	7512074
RP1536AJ1	R801TA075417M5A	RCF3621STAM	35400 [10.4]	26000 [7.6]	9400 [2.8]	15.00	12.50	1150 [542.7]	34000 [10.0]	3.66	22400 [6.6]	2.66	9.00	7512087
RP1536AJ1	R801TA075417M5A	RCF3617STAM	35600 [10.4]	26600 [7.8]	9000 [2.6]	14.50	12.00	1225 [578.1]	34200 [10.0]	3.60	22600 [6.6]	2.60	9.00	8056269
RP1536AJ1	R801TA075417M5A	RCF3621STAM	35400 [10.4]	26000 [7.6]	9400 [2.8]	15.00	12.50	1150 [542.7]	34000 [10.0]	3.66	22400 [6.6]	2.66	9.00	8056274
RP1536AJ1	R801TA075421M5A	RCF3621STAM	35400 [10.4]	26000 [7.6]	9400 [2.8]	15.00	12.50	1150 [542.7]	33800 [9.9]	3.66	22400 [6.6]	2.66	9.00	8087250
RP1536AJ1	R801TA075521Z5A	RCF3621STAM	35400 [10.4]	26100 [7.6]	9300 [2.7]	14.50	12.00	1175 [554.5]	34000 [10.0]	3.66	22400 [6.6]	2.66	9.00	7512088
RP1536AJ1	R801TA075521Z5A	RCF3621STAM	35400 [10.4]	26100 [7.6]	9300 [2.7]	14.50	12.00	1175 [554.5]	34000 [10.0]	3.66	22400 [6.6]	2.66	9.00	8056275
RP1536AJ1	R801TA100521Z5A	RCF3621STAM	35400 [10.4]	26100 [7.6]	9300 [2.7]	15.00	12.50	1175 [554.5]	34000 [10.0]	3.66	22400 [6.6]	2.66	9.00	7512089
RP1536AJ1	R801TA100521Z5A	RCF3621STAM	35400 [10.4]	26100 [7.6]	9300 [2.7]	15.00	12.50	1175 [554.5]	34000 [10.0]	3.66	22400 [6.6]	2.66	9.00	8056276
RP1542AC1	R801TA075317Z5A	RCF4821STAM	42000 [12.3]	29900 [8.8]	12100 [3.5]	14.00	11.50	1350 [637.1]	40500 [11.9]	3.66	26200 [7.7]	2.54	9.00	7512257
RP1542AC1	R801TA075317Z5A	RCF4821STAM	42000 [12.3]	29900 [8.8]	12100 [3.5]	14.00	11.50	1350 [637.1]	40500 [11.9]	3.66	26200 [7.7]	2.54	9.00	8056283
RP1542AC1	R801TA075417M5A	RCF4821STAM	42000 [12.3]	29500 [8.6]	12500 [3.7]	14.50	12.00	1275 [601.7]	40000 [11.7]	3.76	25600 [7.5]	2.60	9.00	7512258
RP1542AC1	R801TA075417M5A	RCF4821STAM	42000 [12.3]	29500 [8.6]	12500 [3.7]	14.50	12.00	1275 [601.7]	40000 [11.7]	3.76	25600 [7.5]	2.60	9.00	8056284
RP1542AC1	R801TA075421M5A	RCF4821STAM	41500 [12.2]	28800 [8.4]	12700 [3.7]	14.50	12.00	1225 [578.1]	39500 [11.6]	3.76	25200 [7.4]	2.60	9.00	8087252
RP1542AC1	R801TA075421M5A	RCF4824STAM	41500 [12.2]	28800 [8.4]	12700 [3.7]	14.50	12.00	1225 [578.1]	39500 [11.6]	3.76	25200 [7.4]	2.60	9.00	8087254
RP1542AC1	R801TA075521Z5A	RCF4821STAM	41500 [12.2]	28800 [8.4]	12700 [3.7]	14.50	12.00	1225 [578.1]	39500 [11.6]	3.70	25200 [7.4]	2.60	9.00	7512259
RP1542AC1	R801TA075521Z5A	RCF4824STAM	41500 [12.2]	28800 [8.4]	12700 [3.7]	14.50	12.00	1225 [578.1]	39500 [11.6]	3.70	25200 [7.4]	2.60	9.00	7512277
RP1542AC1	R801TA075521Z5A	RCF4821STAM	41500 [12.2]	28800 [8.4]	12700 [3.7]	14.50	12.00	1225 [578.1]	39500 [11.6]	3.70	25200 [7.4]	2.60	9.00	8056285
RP1542AC1	R801TA075521Z5A	RCF4824STAM	41500 [12.2]	28800 [8.4]	12700 [3.7]	14.50	12.00	1225 [578.1]	39500 [11.6]	3.70	25200 [7.4]	2.60	9.00	8056292

[] Designates Metric Conversions

Performance Data @ AHRI Standard Conditions – Heat Pump (con't.)

R801T: Achiever Plus Single-Stage X-13 80% Furnace Ratings

Outdoor Unit	Furnace	Indoor Coil	Total Capacity BTU/H [kW]	Net Sensible BTU/H [kW]	Net Latent BTU/H [kW]	SEER	EER	Indoor CFM [L/s]	47 Degree Heating Capacity BTU/H [kW]	47 Degree COP	17 Degree Heating Capacity BTU/H [kW]	17 Degree COP	Region IV HSPF	AHRI#
RP1542AC1	R801TA100521MSA	RCF4821STAM	42000 [12.3]	30100 [8.8]	11900 [3.5]	14.50	12.00	1400 [660.7]	40000 [11.7]	3.76	25600 [7.5]	2.60	9.00	7512260
		RCF4824STAM	42000 [12.3]	30100 [8.8]	11900 [3.5]	14.50	12.00	1400 [660.7]	40000 [11.7]	3.76	25600 [7.5]	2.60	9.00	7512278
RP1542AC1	R801TA100521MXA	RCF4821STAM	42000 [12.3]	30100 [8.8]	11900 [3.5]	14.50	12.00	1400 [660.7]	40000 [11.7]	3.76	25600 [7.5]	2.60	9.00	8056286
		RCF4824STAM	42000 [12.3]	30100 [8.8]	11900 [3.5]	14.50	12.00	1400 [660.7]	40000 [11.7]	3.76	25600 [7.5]	2.60	9.00	8056293
RP1542AC1	R801TA100521ZSA	RCF4821STAM	41500 [12.2]	28800 [8.4]	12700 [3.7]	14.50	12.00	1225 [578.1]	39500 [11.6]	3.76	25200 [7.4]	2.60	9.00	7512261
		RCF4824STAM	41500 [12.2]	28800 [8.4]	12700 [3.7]	14.50	12.00	1225 [578.1]	39500 [11.6]	3.76	25200 [7.4]	2.60	9.00	7512279
RP1542AC1	R801TA100521ZXA	RCF4821STAM	41500 [12.2]	28800 [8.4]	12700 [3.7]	14.50	12.00	1225 [578.1]	39500 [11.6]	3.76	25200 [7.4]	2.60	9.00	8056287
		RCF4824STAM	41500 [12.2]	28800 [8.4]	12700 [3.7]	14.50	12.00	1225 [578.1]	39500 [11.6]	3.76	25200 [7.4]	2.60	9.00	8056294
RP1542AC1	R801TA125524MMSA	RCF4824STAM	42000 [12.3]	30100 [8.8]	11900 [3.5]	15.00	12.50	1350 [637.1]	40000 [11.7]	3.80	25600 [7.5]	2.66	9.00	7512280
RP1542AC1	R801TA125524MXA	RCF4824STAM	42000 [12.3]	30100 [8.8]	11900 [3.5]	15.00	12.50	1350 [637.1]	40000 [11.7]	3.80	25600 [7.5]	2.66	9.00	8056295
RP1542AC1	R801TA125524ZMSA	RCF4824STAM	42000 [12.3]	29900 [8.8]	12100 [3.5]	14.50	12.00	1350 [637.1]	40000 [11.7]	3.76	25800 [7.6]	2.60	9.00	7512281
		RCF4824STAM	42000 [12.3]	29900 [8.8]	12100 [3.5]	14.50	12.00	1350 [637.1]	40000 [11.7]	3.76	25800 [7.6]	2.60	9.00	8056296
RP1542AJ1	R801TA075317ZSA	RCF4821STAM	42000 [12.3]	29900 [8.8]	12100 [3.5]	14.00	11.50	1350 [637.1]	40500 [11.9]	3.66	26200 [7.7]	2.54	9.00	7512305
RP1542AJ1	R801TA075317ZXA	RCF4821STAM	42000 [12.3]	29900 [8.8]	12100 [3.5]	14.00	11.50	1350 [637.1]	40500 [11.9]	3.66	26200 [7.7]	2.54	9.00	8056302
RP1542AJ1	R801TA075417MSA	RCF4821STAM	42000 [12.3]	29500 [8.6]	12500 [3.7]	14.50	12.00	1275 [601.7]	40000 [11.7]	3.76	25600 [7.5]	2.60	9.00	7512306
		RCF4821STAM	42000 [12.3]	29500 [8.6]	12500 [3.7]	14.50	12.00	1275 [601.7]	40000 [11.7]	3.76	25600 [7.5]	2.60	9.00	8056303
RP1542AJ1	R801TA075417MXA	RCF4821STAM	41500 [12.2]	28800 [8.4]	12700 [3.7]	14.50	12.00	1225 [578.1]	39500 [11.6]	3.76	25200 [7.4]	2.60	9.00	8087256
		RCF4824STAM	41500 [12.2]	28800 [8.4]	12700 [3.7]	14.50	12.00	1225 [578.1]	39500 [11.6]	3.76	25200 [7.4]	2.60	9.00	8087258
RP1542AJ1	R801TA075521ZSA	RCF4821STAM	41500 [12.2]	28800 [8.4]	12700 [3.7]	14.50	12.00	1225 [578.1]	39500 [11.6]	3.70	25200 [7.4]	2.60	9.00	7512307
		RCF4824STAM	41500 [12.2]	28800 [8.4]	12700 [3.7]	14.50	12.00	1225 [578.1]	39500 [11.6]	3.70	25200 [7.4]	2.60	9.00	7512325
RP1542AJ1	R801TA075521ZXA	RCF4821STAM	41500 [12.2]	28800 [8.4]	12700 [3.7]	14.50	12.00	1225 [578.1]	39500 [11.6]	3.70	25200 [7.4]	2.60	9.00	8056304
		RCF4824STAM	41500 [12.2]	28800 [8.4]	12700 [3.7]	14.50	12.00	1225 [578.1]	39500 [11.6]	3.70	25200 [7.4]	2.60	9.00	8056311
RP1542AJ1	R801TA100521MSA	RCF4821STAM	42000 [12.3]	30100 [8.8]	11900 [3.5]	14.50	12.00	1400 [660.7]	40000 [11.7]	3.76	25600 [7.5]	2.60	9.00	7512308
		RCF4824STAM	42000 [12.3]	30100 [8.8]	11900 [3.5]	14.50	12.00	1400 [660.7]	40000 [11.7]	3.76	25600 [7.5]	2.60	9.00	7512326
RP1542AJ1	R801TA100521MXA	RCF4821STAM	42000 [12.3]	30100 [8.8]	11900 [3.5]	14.50	12.00	1400 [660.7]	40000 [11.7]	3.76	25600 [7.5]	2.60	9.00	8056305
		RCF4824STAM	42000 [12.3]	30100 [8.8]	11900 [3.5]	14.50	12.00	1400 [660.7]	40000 [11.7]	3.76	25600 [7.5]	2.60	9.00	8056312
RP1542AJ1	R801TA100521ZSA	RCF4821STAM	41500 [12.2]	28800 [8.4]	12700 [3.7]	14.50	12.00	1225 [578.1]	39500 [11.6]	3.76	25200 [7.4]	2.60	9.00	7512309
		RCF4824STAM	41500 [12.2]	28800 [8.4]	12700 [3.7]	14.50	12.00	1225 [578.1]	39500 [11.6]	3.76	25200 [7.4]	2.60	9.00	7512327
RP1542AJ1	R801TA100521ZXA	RCF4821STAM	41500 [12.2]	28800 [8.4]	12700 [3.7]	14.50	12.00	1225 [578.1]	39500 [11.6]	3.76	25200 [7.4]	2.60	9.00	8056306
		RCF4824STAM	41500 [12.2]	28800 [8.4]	12700 [3.7]	14.50	12.00	1225 [578.1]	39500 [11.6]	3.76	25200 [7.4]	2.60	9.00	8056313
RP1542AJ1	R801TA125524MMSA	RCF4824STAM	42000 [12.3]	30100 [8.8]	11900 [3.5]	15.00	12.50	1350 [637.1]	40000 [11.7]	3.80	25600 [7.5]	2.66	9.00	7512328
RP1542AJ1	R801TA125524MXA	RCF4824STAM	42000 [12.3]	30100 [8.8]	11900 [3.5]	15.00	12.50	1350 [637.1]	40000 [11.7]	3.80	25600 [7.5]	2.66	9.00	8056314
RP1542AJ1	R801TA125524ZMSA	RCF4824STAM	42000 [12.3]	29900 [8.8]	12100 [3.5]	14.50	12.00	1350 [637.1]	40000 [11.7]	3.76	25800 [7.6]	2.60	9.00	7512329
		RCF4824STAM	42000 [12.3]	29900 [8.8]	12100 [3.5]	14.50	12.00	1350 [637.1]	40000 [11.7]	3.76	25800 [7.6]	2.60	9.00	8056315
RP1548AC1	R801TA075417MMSA	RCF4821STAM	46000 [13.5]	32300 [9.5]	13700 [4.0]	15.00	12.50	1375 [648.9]	44500 [13.0]	3.60	28600 [8.4]	2.50	9.00	7512117

[] Designates Metric Conversions

Performance Data @ AHRI Standard Conditions – Heat Pump (con't.)

R801T: Achiever Plus Single-Stage X-13 80% Furnace Ratings														
Outdoor Unit	Furnace	Indoor Coil	Total Capacity BTU/H [kW]	Net Sensible BTU/H [kW]	Net Latent BTU/H [kW]	SEER	EER	Indoor CFM [L/s]	47 Degree Heating Capacity BTU/H [kW]	47 Degree COP	17 Degree Heating Capacity BTU/H [kW]	17 Degree COP	Region IV HSPF	AHRI#
RP1548AC1	R801TA075417MXA	RCF4821STAM	46000 [13.5]	32300 [9.5]	13700 [4.0]	15.00	12.50	1375 [648.9]	44500 [13.0]	3.60	28600 [8.4]	2.50	9.00	8056321
RP1548AC1	R801TA075421MSA	RCF4821STAM	46000 [13.5]	32400 [9.5]	13600 [4.0]	14.50	12.00	1400 [660.7]	44500 [13.0]	3.66	28600 [8.4]	2.54	9.00	8087260
RP1548AC1	R801TA075521ZSA	RCF4824STAM	46000 [13.5]	32400 [9.5]	13600 [4.0]	14.50	12.00	1400 [660.7]	44500 [13.0]	3.66	28600 [8.4]	2.54	9.00	8087262
RP1548AC1	R801TA075521ZXA	RCF4821STAM	46000 [13.5]	32400 [9.5]	13600 [4.0]	14.50	12.00	1400 [660.7]	44500 [13.0]	3.66	28800 [8.4]	2.54	9.00	7512118
RP1548AC1	R801TA075521ZXA	RCF4824STAM	46000 [13.5]	32400 [9.5]	13600 [4.0]	14.50	12.00	1400 [660.7]	44500 [13.0]	3.66	28800 [8.4]	2.54	9.00	7512131
RP1548AC1	R801TA100521MSA	RCF4821STAM	46000 [13.5]	32400 [9.5]	13600 [4.0]	14.50	12.00	1400 [660.7]	44500 [13.0]	3.66	28800 [8.4]	2.54	9.00	8056322
RP1548AC1	R801TA100521MSA	RCF4824STAM	46000 [13.5]	32400 [9.5]	13600 [4.0]	14.50	12.00	1400 [660.7]	44500 [13.0]	3.66	28800 [8.4]	2.54	9.00	8056328
RP1548AC1	R801TA100521MXA	RCF4821STAM	47000 [13.8]	34700 [10.2]	12300 [3.6]	15.00	12.50	1600 [755.1]	45000 [13.2]	3.60	29200 [8.6]	2.54	9.00	7512119
RP1548AC1	R801TA100521MXA	RCF4824STAM	47000 [13.8]	34700 [10.2]	12300 [3.6]	15.00	12.50	1600 [755.1]	45000 [13.2]	3.60	29200 [8.6]	2.54	9.00	7512132
RP1548AC1	R801TA100521ZSA	RCF4821STAM	47000 [13.8]	34700 [10.2]	12300 [3.6]	15.00	12.50	1600 [755.1]	45000 [13.2]	3.60	29200 [8.6]	2.54	9.00	8056323
RP1548AC1	R801TA100521ZSA	RCF4824STAM	47000 [13.8]	34700 [10.2]	12300 [3.6]	15.00	12.50	1600 [755.1]	45000 [13.2]	3.60	29200 [8.6]	2.54	9.00	8056329
RP1548AC1	R801TA100521ZXA	RCF4821STAM	46000 [13.5]	32400 [9.5]	13600 [4.0]	15.00	12.50	1400 [660.7]	44500 [13.0]	3.66	28600 [8.4]	2.54	9.00	7512120
RP1548AC1	R801TA100521ZXA	RCF4824STAM	46000 [13.5]	32400 [9.5]	13600 [4.0]	15.00	12.50	1400 [660.7]	44500 [13.0]	3.66	28600 [8.4]	2.54	9.00	7512133
RP1548AC1	R801TA125524MSA	RCF4821STAM	46000 [13.5]	32400 [9.5]	13600 [4.0]	15.00	12.50	1400 [660.7]	44500 [13.0]	3.66	28600 [8.4]	2.54	9.00	8056324
RP1548AC1	R801TA125524MXA	RCF4824STAM	46000 [13.5]	32400 [9.5]	13600 [4.0]	15.00	12.50	1400 [660.7]	44500 [13.0]	3.66	28600 [8.4]	2.54	9.00	8056330
RP1548AC1	R801TA125524ZSA	RCF4821STAM	47000 [13.8]	34700 [10.2]	12300 [3.6]	15.00	12.50	1600 [755.1]	45000 [13.2]	3.60	29200 [8.6]	2.54	9.00	7512134
RP1548AC1	R801TA125524ZXA	RCF4824STAM	47000 [13.8]	34700 [10.2]	12300 [3.6]	15.00	12.50	1600 [755.1]	45000 [13.2]	3.60	29200 [8.6]	2.54	9.00	8056331
RP1548AJ1	R801TA125524ZXA	RCF4821STAM	47000 [13.8]	34900 [10.2]	12100 [3.5]	14.50	12.00	1625 [766.9]	45000 [13.2]	3.54	29600 [8.7]	2.50	9.00	7818672
RP1548AJ1	R801TA075417MXA	RCF4824STAM	47000 [13.8]	34900 [10.2]	12100 [3.5]	14.50	12.00	1625 [766.9]	45000 [13.2]	3.54	29600 [8.7]	2.50	9.00	8056332
RP1548AJ1	R801TA075417MXA	RCF4821STAM	46000 [13.5]	32300 [9.5]	13700 [4.0]	15.00	12.50	1375 [648.9]	44500 [13.0]	3.60	28600 [8.4]	2.50	9.00	7512154
RP1548AJ1	R801TA075417MXA	RCF4824STAM	46000 [13.5]	32300 [9.5]	13700 [4.0]	15.00	12.50	1375 [648.9]	44500 [13.0]	3.60	28600 [8.4]	2.50	9.00	8056338
RP1548AJ1	R801TA075421MSA	RCF4821STAM	46000 [13.5]	32400 [9.5]	13600 [4.0]	14.50	12.00	1400 [660.7]	44500 [13.0]	3.66	28600 [8.4]	2.54	9.00	8087264
RP1548AJ1	R801TA075421MSA	RCF4824STAM	46000 [13.5]	32400 [9.5]	13600 [4.0]	14.50	12.00	1400 [660.7]	44500 [13.0]	3.66	28600 [8.4]	2.54	9.00	8087266
RP1548AJ1	R801TA075521ZSA	RCF4821STAM	46000 [13.5]	32400 [9.5]	13600 [4.0]	14.50	12.00	1400 [660.7]	44500 [13.0]	3.66	28800 [8.4]	2.54	9.00	7512155
RP1548AJ1	R801TA075521ZSA	RCF4824STAM	46000 [13.5]	32400 [9.5]	13600 [4.0]	14.50	12.00	1400 [660.7]	44500 [13.0]	3.66	28800 [8.4]	2.54	9.00	7512168
RP1548AJ1	R801TA075521ZXA	RCF4821STAM	46000 [13.5]	32400 [9.5]	13600 [4.0]	14.50	12.00	1400 [660.7]	44500 [13.0]	3.66	28800 [8.4]	2.54	9.00	8056339
RP1548AJ1	R801TA075521ZXA	RCF4824STAM	46000 [13.5]	32400 [9.5]	13600 [4.0]	14.50	12.00	1400 [660.7]	44500 [13.0]	3.66	28800 [8.4]	2.54	9.00	8056345
RP1548AJ1	R801TA100521MSA	RCF4821STAM	47000 [13.8]	34700 [10.2]	12300 [3.6]	15.00	12.50	1600 [755.1]	45000 [13.2]	3.60	29200 [8.6]	2.54	9.00	7512156
RP1548AJ1	R801TA100521MSA	RCF4824STAM	47000 [13.8]	34700 [10.2]	12300 [3.6]	15.00	12.50	1600 [755.1]	45000 [13.2]	3.60	29200 [8.6]	2.54	9.00	7512169
RP1548AJ1	R801TA100521MXA	RCF4821STAM	47000 [13.8]	34700 [10.2]	12300 [3.6]	15.00	12.50	1600 [755.1]	45000 [13.2]	3.60	29200 [8.6]	2.54	9.00	8056340
RP1548AJ1	R801TA100521MXA	RCF4824STAM	47000 [13.8]	34700 [10.2]	12300 [3.6]	15.00	12.50	1600 [755.1]	45000 [13.2]	3.60	29200 [8.6]	2.54	9.00	8056346
RP1548AJ1	R801TA100521ZSA	RCF4821STAM	46000 [13.5]	32400 [9.5]	13600 [4.0]	15.00	12.50	1400 [660.7]	44500 [13.0]	3.66	28600 [8.4]	2.54	9.00	7512157
RP1548AJ1	R801TA100521ZSA	RCF4824STAM	46000 [13.5]	32400 [9.5]	13600 [4.0]	15.00	12.50	1400 [660.7]	44500 [13.0]	3.66	28600 [8.4]	2.54	9.00	7512170
RP1548AJ1	R801TA100521ZXA	RCF4821STAM	46000 [13.5]	32400 [9.5]	13600 [4.0]	15.00	12.50	1400 [660.7]	44500 [13.0]	3.66	28600 [8.4]	2.54	9.00	8056341
RP1548AJ1	R801TA100521ZXA	RCF4824STAM	46000 [13.5]	32400 [9.5]	13600 [4.0]	15.00	12.50	1400 [660.7]	44500 [13.0]	3.66	28600 [8.4]	2.54	9.00	8056347

[] Designates Metric Conversions

Performance Data @ AHRI Standard Conditions – Heat Pump (con't.)

R801T: Achiever Plus Single-Stage X-13 80% Furnace Ratings														
Outdoor Unit	Furnace	Indoor Coil	Total Capacity BTU/H [kW]	Net Sensible BTU/H [kW]	Net Latent BTU/H [kW]	SEER	EER	Indoor CFM [L/s]	47 Degree Heating Capacity BTU/H [kW]	47 Degree COP	17 Degree Heating Capacity BTU/H [kW]	17 Degree COP	Region IV HSPF	AHRI#
RP1548A1	R801TA125524MISA	RCF4824STAM	47000 [13.8]	34700 [10.2]	12300 [3.6]	15.00	12.50	1600 [755.1]	45000 [13.2]	3.60	29200 [8.6]	2.54	9.00	7512171
RP1548A1	R801TA125524MIXA	RCF4824STAM	47000 [13.8]	34700 [10.2]	12300 [3.6]	15.00	12.50	1600 [755.1]	45000 [13.2]	3.60	29200 [8.6]	2.54	9.00	8056348
RP1548A1	R801TA125524ZSA	RCF4824STAM	47000 [13.8]	34900 [10.2]	12100 [3.5]	14.50	12.00	1625 [766.9]	45000 [13.2]	3.54	29600 [8.7]	2.50	9.00	7818675
RP1548A1	R801TA125524ZXA	RCF4824STAM	47000 [13.8]	34900 [10.2]	12100 [3.5]	14.50	12.00	1625 [766.9]	45000 [13.2]	3.54	29600 [8.7]	2.50	9.00	8056349
RP1560AC1	R801TA075421MISA	RCF6024HTAM	57000 [16.7]	40200 [11.8]	16800 [4.9]	14.00	11.50	1650 [778.7]	55500 [16.3]	3.70	35200 [10.3]	2.60	9.00	8087268
RP1560AC1	R801TA075521ZSA	RCF6024STAM	57000 [16.7]	40200 [11.8]	16800 [4.9]	14.00	11.50	1650 [778.7]	55500 [16.3]	3.70	35200 [10.3]	2.60	9.00	8087270
RP1560AC1	R801TA075521ZXA	RCF6024STAM	57000 [16.7]	40600 [11.9]	16400 [4.8]	14.00	11.50	1700 [802.3]	56500 [16.6]	3.70	35800 [10.5]	2.54	9.00	7512191
RP1560AC1	R801TA100521MISA	RCF6024HTAM	58000 [17.0]	42600 [12.5]	15400 [4.5]	14.50	12.00	1825 [861.3]	56500 [16.6]	3.76	36000 [10.6]	2.66	9.00	7512205
RP1560AC1	R801TA100521MXA	RCF6024STAM	58000 [17.0]	42600 [12.5]	15400 [4.5]	14.50	12.00	1825 [861.3]	56500 [16.6]	3.76	36000 [10.6]	2.66	9.00	8056355
RP1560AC1	R801TA100521ZSA	RCF6024STAM	58000 [17.0]	42600 [12.5]	15400 [4.5]	14.50	12.00	1825 [861.3]	56500 [16.6]	3.76	36000 [10.6]	2.66	9.00	8056356
RP1560AC1	R801TA100521ZXA	RCF6024STAM	58000 [17.0]	42600 [12.5]	15400 [4.5]	14.50	12.00	1825 [861.3]	56500 [16.6]	3.76	36000 [10.6]	2.66	9.00	8056365
RP1560AC1	R801TA125524MISA	RCF6024HTAM	57000 [16.7]	40600 [11.9]	16400 [4.8]	14.00	11.50	1700 [802.3]	56500 [16.6]	3.76	36000 [10.6]	2.66	9.00	7512193
RP1560AC1	R801TA125524ZSA	RCF6024STAM	57000 [16.7]	40600 [11.9]	16400 [4.8]	14.00	11.50	1700 [802.3]	56500 [16.6]	3.76	36000 [10.6]	2.66	9.00	7512207
RP1560AC1	R801TA100521ZXA	RCF6024HTAM	57000 [16.7]	40600 [11.9]	16400 [4.8]	14.00	11.50	1700 [802.3]	56500 [16.6]	3.76	36000 [10.6]	2.66	9.00	8056357
RP1560AC1	R801TA125524MISA	RCF6024STAM	57000 [16.9]	40700 [11.9]	16800 [4.9]	15.00	12.50	1650 [778.7]	55500 [16.3]	3.80	35000 [10.3]	2.60	9.00	8056366
RP1560AC1	R801TA125524MXA	RCF6024HTAM	57500 [16.9]	40700 [11.9]	16800 [4.9]	15.00	12.50	1650 [778.7]	55500 [16.3]	3.80	35000 [10.3]	2.60	9.00	7512194
RP1560AC1	R801TA125524ZSA	RCF6024STAM	57500 [16.9]	40700 [11.9]	16800 [4.9]	15.00	12.50	1650 [778.7]	55500 [16.3]	3.80	35000 [10.3]	2.60	9.00	7512208
RP1560AC1	R801TA125524ZXA	RCF6024STAM	57500 [16.9]	40700 [11.9]	16800 [4.9]	15.00	12.50	1650 [778.7]	55500 [16.3]	3.80	35000 [10.3]	2.60	9.00	8056358
RP1560AC1	R801TA125524ZSA	RCF6024HTAM	57000 [16.7]	40400 [11.8]	16600 [4.9]	14.50	12.00	1675 [790.5]	56000 [16.4]	3.76	35400 [10.4]	2.60	9.00	7512195
RP1560AC1	R801TA125524ZXA	RCF6024STAM	57000 [16.7]	40400 [11.8]	16600 [4.9]	14.50	12.00	1675 [790.5]	56000 [16.4]	3.76	35400 [10.4]	2.60	9.00	7512209
RP1560AC1	R801TA125524ZSA	RCF6024HTAM	57000 [16.7]	40400 [11.8]	16600 [4.9]	14.50	12.00	1675 [790.5]	56000 [16.4]	3.76	35400 [10.4]	2.60	9.00	8056359
RP1560AC1	R801TA125524ZXA	RCF6024STAM	57000 [16.7]	40400 [11.8]	16600 [4.9]	14.50	12.00	1675 [790.5]	56000 [16.4]	3.76	35400 [10.4]	2.60	9.00	8056368
RP1560A1	R801TA075421MISA	RCF6024HTAM	57000 [16.7]	40200 [11.8]	16800 [4.9]	14.00	11.50	1650 [778.7]	55500 [16.3]	3.70	35200 [10.3]	2.60	9.00	8087272
RP1560A1	R801TA075521ZSA	RCF6024STAM	57000 [16.7]	40200 [11.8]	16800 [4.9]	14.00	11.50	1650 [778.7]	55500 [16.3]	3.70	35200 [10.3]	2.60	9.00	8087274
RP1560A1	R801TA075521ZXA	RCF6024HTAM	57000 [16.7]	40600 [11.9]	16400 [4.8]	14.00	11.50	1700 [802.3]	56500 [16.6]	3.70	35800 [10.5]	2.54	9.00	7512224
RP1560A1	R801TA075521ZSA	RCF6024STAM	57000 [16.7]	40600 [11.9]	16400 [4.8]	14.00	11.50	1700 [802.3]	56500 [16.6]	3.70	35800 [10.5]	2.54	9.00	7512238
RP1560A1	R801TA075521ZXA	RCF6024HTAM	57000 [16.7]	40600 [11.9]	16400 [4.8]	14.00	11.50	1700 [802.3]	56500 [16.6]	3.70	35800 [10.5]	2.54	9.00	8056373
RP1560A1	R801TA100521MISA	RCF6024STAM	58000 [17.0]	42600 [12.5]	15400 [4.5]	14.50	12.00	1825 [861.3]	56500 [16.6]	3.76	36000 [10.6]	2.66	9.00	8056382
RP1560A1	R801TA100521MXA	RCF6024HTAM	58000 [17.0]	42600 [12.5]	15400 [4.5]	14.50	12.00	1825 [861.3]	56500 [16.6]	3.76	36000 [10.6]	2.66	9.00	7512225
RP1560A1	R801TA100521ZSA	RCF6024STAM	58000 [17.0]	42600 [12.5]	15400 [4.5]	14.50	12.00	1825 [861.3]	56500 [16.6]	3.76	36000 [10.6]	2.66	9.00	7512239

[] Designates Metric Conversions

Performance Data @ AHRI Standard Conditions – Heat Pump (con't.)

R801T: Achiever Plus Single-Stage X-13 80% Furnace Ratings														
Outdoor Unit	Furnace	Indoor Coil	Total Capacity BTU/H [kW]	Net Sensible BTU/H [kW]	Net Latent BTU/H [kW]	SEER	EER	Indoor CFM [L/s]	47 Degree Heating Capacity BTU/H [kW]	47 Degree COP	17 Degree Heating Capacity BTU/H [kW]	17 Degree COP	Region IV HSPF	AHRI#
RP1560AJ1	R801TA100521MXA	RCF6024HTAM	58000 [17.0]	42600 [12.5]	15400 [4.5]	14.50	12.00	1825 [861.3]	56500 [16.6]	3.76	36000 [10.6]	2.66	9.00	8056374
		RCF6024STAM	58000 [17.0]	42600 [12.5]	15400 [4.5]	14.50	12.00	1825 [861.3]	56500 [16.6]	3.76	36000 [10.6]	2.66	9.00	8056383
RP1560AJ1	R801TA100521ZSA	RCF6024HTAM	57000 [16.7]	40600 [11.9]	16400 [4.8]	14.00	11.50	1700 [802.3]	56500 [16.6]	3.76	35600 [10.4]	2.60	9.00	7512226
		RCF6024STAM	57000 [16.7]	40600 [11.9]	16400 [4.8]	14.00	11.50	1700 [802.3]	56500 [16.6]	3.76	35600 [10.4]	2.60	9.00	7512240
RP1560AJ1	R801TA100521ZXA	RCF6024HTAM	57000 [16.7]	40600 [11.9]	16400 [4.8]	14.00	11.50	1700 [802.3]	56500 [16.6]	3.76	35600 [10.4]	2.60	9.00	8056375
		RCF6024STAM	57000 [16.7]	40600 [11.9]	16400 [4.8]	14.00	11.50	1700 [802.3]	56500 [16.6]	3.76	35600 [10.4]	2.60	9.00	8056384
RP1560AJ1	R801TA125524MSA	RCF6024HTAM	57500 [16.9]	40700 [11.9]	16800 [4.9]	15.00	12.50	1650 [778.7]	55500 [16.3]	3.80	35000 [10.3]	2.60	9.00	7512227
		RCF6024STAM	57500 [16.9]	40700 [11.9]	16800 [4.9]	15.00	12.50	1650 [778.7]	55500 [16.3]	3.80	35000 [10.3]	2.60	9.00	7512241
RP1560AJ1	R801TA125524MXA	RCF6024HTAM	57500 [16.9]	40700 [11.9]	16800 [4.9]	15.00	12.50	1650 [778.7]	55500 [16.3]	3.80	35000 [10.3]	2.60	9.00	8056376
		RCF6024STAM	57500 [16.9]	40700 [11.9]	16800 [4.9]	15.00	12.50	1650 [778.7]	55500 [16.3]	3.80	35000 [10.3]	2.60	9.00	8056385
RP1560AJ1	R801TA125524ZSA	RCF6024HTAM	57000 [16.7]	40400 [11.8]	16600 [4.9]	14.50	12.00	1675 [790.5]	56000 [16.4]	3.76	35400 [10.4]	2.60	9.00	7512228
		RCF6024STAM	57000 [16.7]	40400 [11.8]	16600 [4.9]	14.50	12.00	1675 [790.5]	56000 [16.4]	3.76	35400 [10.4]	2.60	9.00	7512242
RP1560AJ1	R801TA125524ZXA	RCF6024HTAM	57000 [16.7]	40400 [11.8]	16600 [4.9]	14.50	12.00	1675 [790.5]	56000 [16.4]	3.76	35400 [10.4]	2.60	9.00	8056377
		RCF6024STAM	57000 [16.7]	40400 [11.8]	16600 [4.9]	14.50	12.00	1675 [790.5]	56000 [16.4]	3.76	35400 [10.4]	2.60	9.00	8056386

[] Designates Metric Conversions

Performance Data @ AHRI Standard Conditions – Heat Pump (con't.)

R802V: Ultra 2-Stage 80% ECM Furnace Ratings														
Outdoor Unit	Furnace	Indoor Coil	Total Capacity BTU/H [kW]	Net Sensible BTU/H [kW]	Net Latent BTU/H [kW]	SEER	EER	Indoor CFM [L/s]	47 Degree Heating Capacity BTU/H [kW]	47 Degree COP	17 Degree Heating Capacity BTU/H [kW]	17 Degree COP	Region IV HSPF	AHRI#
RP1518B.J1	R802VA050317MSA	RCF2417STAM	18000 [5.3]	14000 [4.1]	4000 [1.2]	16.00	13.00	650 [306.8]	15800 [4.6]	3.60	9200 [2.7]	2.34	9.00	8224051
RP1518B.J1	R802VA050317MXA	RCF2417STAM	18000 [5.3]	14000 [4.1]	4000 [1.2]	16.00	13.00	650 [306.8]	15800 [4.6]	3.60	9200 [2.7]	2.34	9.00	8224052
RP1518B.J1	R802VA075317MSA	RCF2417STAM	18000 [5.3]	14000 [4.1]	4000 [1.2]	16.00	13.00	675 [318.6]	15800 [4.6]	3.60	9200 [2.7]	2.40	9.00	8224053
RP1518B.J1	R802VA075317MXA	RCF2417STAM	18000 [5.3]	14000 [4.1]	4000 [1.2]	16.00	13.00	675 [318.6]	15800 [4.6]	3.60	9200 [2.7]	2.40	9.00	8224054
RP1518B.J1	R802VA075317ZSA	RCF2417STAM	18000 [5.3]	14000 [4.1]	4000 [1.2]	16.00	13.00	675 [318.6]	15800 [4.6]	3.60	9200 [2.7]	2.34	9.00	8224055
RP1518B.J1	R802VA075317ZXA	RCF2417STAM	18000 [5.3]	14000 [4.1]	4000 [1.2]	16.00	13.00	675 [318.6]	15800 [4.6]	3.60	9200 [2.7]	2.34	9.00	8224056
RP1524B.J1	R802VA050317MSA	RCF2417STAM	24000 [7.0]	18000 [5.3]	6000 [1.8]	15.00	12.50	850 [401.2]	22200 [6.5]	3.60	13700 [4.0]	2.46	9.00	8171183
RP1524B.J1	R802VA075317MSA	RCF2417STAM	24000 [7.0]	17900 [5.2]	6100 [1.8]	15.50	13.00	875 [413.0]	22000 [6.4]	3.66	13600 [4.0]	2.46	9.00	8171184
RP1524B.J1	R802VA075317ZSA	RCF2417STAM	24000 [7.0]	17900 [5.2]	6100 [1.8]	15.50	13.00	800 [377.6]	22000 [6.4]	3.66	13500 [4.0]	2.50	9.00	8171185
RP1524B.J1	R802VB075317ZSB	RCF2417STAM	24000 [7.0]	17900 [5.2]	6100 [1.8]	15.50	13.00	800 [377.6]	22000 [6.4]	3.66	13500 [4.0]	2.50	9.00	8410137
RP1530B.J1	R802VA050317MSA	RCF3617STAM	28800 [8.4]	21600 [6.3]	7200 [2.1]	15.00	12.50	975 [460.1]	27000 [7.9]	3.54	16600 [4.9]	2.30	8.50	8224083
RP1530B.J1	R802VA050317MXA	RCF3621STAM	28800 [8.4]	21600 [6.3]	7200 [2.1]	15.00	12.50	975 [460.1]	26800 [7.9]	3.60	16500 [4.8]	2.30	8.50	8224121
RP1530B.J1	R802VA075317MSA	RCF3617STAM	28800 [8.4]	21600 [6.3]	7200 [2.1]	15.00	12.50	975 [460.1]	27000 [7.9]	3.54	16600 [4.9]	2.30	8.50	8224084
RP1530B.J1	R802VA075317MXA	RCF3621STAM	28800 [8.4]	21600 [6.3]	7200 [2.1]	15.00	12.50	975 [460.1]	26800 [7.9]	3.60	16500 [4.8]	2.30	8.50	8224122
RP1530B.J1	R802VA075317ZSA	RCF3617STAM	29200 [8.6]	22100 [6.5]	7100 [2.1]	15.50	13.00	1025 [483.7]	27200 [8.0]	3.70	16700 [4.9]	2.34	8.50	8224085
RP1530B.J1	R802VA075317ZXA	RCF3621STAM	29200 [8.6]	22100 [6.5]	7100 [2.1]	15.50	13.00	1025 [483.7]	27000 [7.9]	3.70	16600 [4.9]	2.34	8.50	8224123
RP1530B.J1	R802VA075317MSA	RCF3617STAM	29200 [8.6]	22100 [6.5]	7100 [2.1]	15.50	13.00	1025 [483.7]	27200 [8.0]	3.70	16700 [4.9]	2.34	8.50	8224086
RP1530B.J1	R802VA075317ZSA	RCF3621STAM	29200 [8.6]	22100 [6.5]	7100 [2.1]	15.50	13.00	1025 [483.7]	27000 [7.9]	3.70	16600 [4.9]	2.34	8.50	8224124
RP1530B.J1	R802VA075317ZXA	RCF3617STAM	29400 [8.6]	22700 [6.7]	6700 [2.0]	15.00	12.50	1100 [519.1]	27200 [8.0]	3.66	16900 [5.0]	2.34	8.50	8224087
RP1530B.J1	R802VA075421MSA	RCF3621STAM	29200 [8.6]	22300 [6.5]	6900 [2.0]	15.00	12.50	1050 [495.5]	27200 [8.0]	3.66	16900 [5.0]	2.34	8.50	8224088
RP1530B.J1	R802VA075421MXA	RCF3621STAM	29400 [8.6]	22700 [6.7]	6700 [2.0]	15.00	12.50	1100 [519.1]	27200 [8.0]	3.66	16900 [5.0]	2.34	8.50	8224126
RP1530B.J1	R802VA075421ZSA	RCF3617STAM	29600 [8.7]	22900 [6.7]	6700 [2.0]	15.50	13.00	1100 [519.1]	27000 [7.9]	3.70	16700 [4.9]	2.40	9.00	8224127
RP1530B.J1	R802VA075421ZXA	RCF3621STAM	29600 [8.7]	22900 [6.7]	6700 [2.0]	15.50	13.00	1100 [519.1]	27000 [7.9]	3.70	16700 [4.9]	2.40	9.00	8224128
RP1530B.J1	R802VA100521MSA	RCF3621STAM	29200 [8.6]	22100 [6.5]	7100 [2.1]	15.50	13.00	1025 [483.7]	27000 [7.9]	3.70	16600 [4.9]	2.34	8.50	8224129
RP1530B.J1	R802VA100521MXA	RCF3621STAM	29200 [8.6]	22100 [6.5]	7100 [2.1]	15.50	13.00	1025 [483.7]	27000 [7.9]	3.70	16600 [4.9]	2.34	8.50	8224130
RP1530B.J1	R802VA100521ZSA	RCF3621STAM	29400 [8.6]	22300 [6.5]	7100 [2.1]	16.00	13.00	1025 [483.7]	26800 [7.9]	3.76	16400 [4.8]	2.40	9.00	8224131
RP1530B.J1	R802VA100521ZXA	RCF3621STAM	29400 [8.6]	22300 [6.5]	7100 [2.1]	16.00	13.00	1025 [483.7]	26800 [7.9]	3.76	16400 [4.8]	2.40	9.00	8224132
RP1530B.J1	R802VA100521MSA	RCF3621STAM	29200 [8.6]	22300 [6.5]	6900 [2.0]	15.50	13.00	1050 [495.5]	27000 [7.9]	3.70	16700 [4.9]	2.40	9.00	8224133
RP1530B.J1	R802VA100521ZSA	RCF3621STAM	29200 [8.6]	22300 [6.5]	6900 [2.0]	15.50	13.00	1050 [495.5]	27000 [7.9]	3.70	16700 [4.9]	2.40	9.00	8224134
RP1536AC1	R802VA050317MSA	RCF3617STAM	34800 [10.2]	25200 [7.4]	9600 [2.8]	14.00	11.50	1100 [519.1]	33600 [9.8]	3.50	22200 [6.5]	2.50	9.00	7551368
RP1536AC1	R802VA050317MXA	RCF3621STAM	35000 [10.3]	25700 [7.5]	9300 [2.7]	14.00	11.50	1175 [554.5]	34400 [10.1]	3.54	22600 [6.6]	2.54	9.00	7551374
RP1536AC1	R802VA050317ZSA	RCF3617STAM	34800 [10.2]	25200 [7.4]	9600 [2.8]	14.00	11.50	1100 [519.1]	33600 [9.8]	3.50	22200 [6.5]	2.50	9.00	8056254
RP1536AC1	R802VA050317ZXA	RCF3621STAM	35000 [10.3]	25700 [7.5]	9300 [2.7]	14.00	11.50	1175 [554.5]	34400 [10.1]	3.54	22600 [6.6]	2.54	9.00	8056261

[] Designates Metric Conversions

Performance Data @ AHRI Standard Conditions – Heat Pump (con't.)

R802V: Ultra 2-Stage 80% ECM Furnace Ratings														
Outdoor Unit	Furnace	Indoor Coil	Total Capacity BTU/H [kW]	Net Sensible BTU/H [kW]	Net Latent BTU/H [kW]	SEER	EER	Indoor CFM [L/s]	47 Degree Heating Capacity BTU/H [kW]	47 Degree COP	17 Degree Heating Capacity BTU/H [kW]	17 Degree COP	Region IV HSPF	AHRI#
RP1536AC1	R802VA075317MSA	RCF3617STAM	35000 [10.3]	25300 [7.4]	9700 [2.8]	15.00	12.50	1075 [507.3]	33200 [9.7]	3.54	21800 [6.4]	2.54	9.00	7551369
		RCF3621STAM	35000 [10.3]	25300 [7.4]	9700 [2.8]	15.00	12.50	1075 [507.3]	33000 [9.7]	3.60	21600 [6.3]	2.54	9.00	7551375
RP1536AC1	R802VA075317MXA	RCF3617STAM	35000 [10.3]	25300 [7.4]	9700 [2.8]	15.00	12.50	1075 [507.3]	33200 [9.7]	3.54	21800 [6.4]	2.54	9.00	8056255
		RCF3621STAM	35000 [10.3]	25300 [7.4]	9700 [2.8]	15.00	12.50	1075 [507.3]	33000 [9.7]	3.60	21600 [6.3]	2.54	9.00	8056262
RP1536AC1	R802VA075317ZSA	RCF3617STAM	35000 [10.3]	25400 [7.4]	9600 [2.8]	14.50	12.00	1100 [519.1]	33400 [9.8]	3.54	22000 [6.4]	2.54	9.00	7551370
		RCF3621STAM	35000 [10.3]	25400 [7.4]	9600 [2.8]	14.50	12.00	1100 [519.1]	33400 [9.8]	3.54	22000 [6.4]	2.54	9.00	7551376
RP1536AC1	R802VA075317ZXA	RCF3617STAM	35000 [10.3]	25400 [7.4]	9600 [2.8]	14.50	12.00	1100 [519.1]	33400 [9.8]	3.54	22000 [6.4]	2.54	9.00	8056256
		RCF3621STAM	35000 [10.3]	25400 [7.4]	9600 [2.8]	14.50	12.00	1100 [519.1]	33400 [9.8]	3.54	22000 [6.4]	2.54	9.00	8056263
RP1536AC1	R802VA075421MSA	RCF3621STAM	35800 [10.5]	26900 [7.9]	8900 [2.6]	15.00	12.50	1250 [589.9]	33800 [9.9]	3.66	22400 [6.6]	2.66	9.00	8087249
RP1536AC1	R802VA075421MXA	RCF3621STAM	35800 [10.5]	26900 [7.9]	8900 [2.6]	15.00	12.50	1250 [589.9]	33800 [9.9]	3.66	22400 [6.6]	2.66	9.00	8113141
RP1536AC1	R802VA075421ZSA	RCF3621STAM	35000 [10.3]	25300 [7.4]	9700 [2.8]	15.00	12.50	1075 [507.3]	33000 [9.7]	3.54	21600 [6.3]	2.54	9.00	7551377
RP1536AC1	R802VA075421ZXA	RCF3621STAM	35000 [10.3]	25300 [7.4]	9700 [2.8]	15.00	12.50	1075 [507.3]	33000 [9.7]	3.54	21600 [6.3]	2.54	9.00	8056264
RP1536AC1	R802VA100521MSA	RCF3621STAM	36000 [10.6]	26600 [7.8]	9400 [2.8]	15.00	12.50	1350 [637.1]	33800 [9.9]	3.66	22400 [6.6]	2.66	9.00	7551378
RP1536AC1	R802VA100521MXA	RCF3621STAM	36000 [10.6]	26600 [7.8]	9400 [2.8]	15.00	12.50	1350 [637.1]	33800 [9.9]	3.66	22400 [6.6]	2.66	9.00	8056265
RP1536AC1	R802VA100521ZSA	RCF3621STAM	35400 [10.4]	26200 [7.7]	9200 [2.7]	15.00	12.50	1200 [566.3]	34000 [10.0]	3.66	22400 [6.6]	2.66	9.00	7551379
RP1536AC1	R802VA100521ZXA	RCF3621STAM	35400 [10.4]	26200 [7.7]	9200 [2.7]	15.00	12.50	1200 [566.3]	34000 [10.0]	3.66	22400 [6.6]	2.66	9.00	8056266
RP1536A11	R802VA050317MSA	RCF3617STAM	34800 [10.2]	25200 [7.4]	9600 [2.8]	14.00	11.50	1100 [519.1]	33600 [9.8]	3.50	22200 [6.5]	2.50	9.00	7551385
		RCF3621STAM	35000 [10.3]	25700 [7.5]	9300 [2.7]	14.00	11.50	1175 [554.5]	34400 [10.1]	3.54	22600 [6.6]	2.54	9.00	7551391
RP1536A11	R802VA050317MXA	RCF3617STAM	34800 [10.2]	25200 [7.4]	9600 [2.8]	14.00	11.50	1100 [519.1]	33600 [9.8]	3.50	22200 [6.5]	2.50	9.00	8056270
		RCF3621STAM	35000 [10.3]	25700 [7.5]	9300 [2.7]	14.00	11.50	1175 [554.5]	34400 [10.1]	3.54	22600 [6.6]	2.54	9.00	8056277
RP1536A11	R802VA075317MSA	RCF3617STAM	35000 [10.3]	25300 [7.4]	9700 [2.8]	15.00	12.50	1075 [507.3]	33200 [9.7]	3.54	21800 [6.4]	2.54	9.00	7551386
		RCF3621STAM	35000 [10.3]	25300 [7.4]	9700 [2.8]	15.00	12.50	1075 [507.3]	33000 [9.7]	3.60	21600 [6.3]	2.54	9.00	7551392
RP1536A11	R802VA075317MXA	RCF3617STAM	35000 [10.3]	25300 [7.4]	9700 [2.8]	15.00	12.50	1075 [507.3]	33200 [9.7]	3.54	21800 [6.4]	2.54	9.00	8056271
		RCF3621STAM	35000 [10.3]	25300 [7.4]	9700 [2.8]	15.00	12.50	1075 [507.3]	33000 [9.7]	3.60	21600 [6.3]	2.54	9.00	8056278
RP1536A11	R802VA075317ZSA	RCF3617STAM	35000 [10.3]	25400 [7.4]	9600 [2.8]	14.50	12.00	1100 [519.1]	33400 [9.8]	3.54	22000 [6.4]	2.54	9.00	7551387
		RCF3621STAM	35000 [10.3]	25400 [7.4]	9600 [2.8]	14.50	12.00	1100 [519.1]	33400 [9.8]	3.54	22000 [6.4]	2.54	9.00	7551393
RP1536A11	R802VA075317ZXA	RCF3617STAM	35000 [10.3]	25400 [7.4]	9600 [2.8]	14.50	12.00	1100 [519.1]	33400 [9.8]	3.54	22000 [6.4]	2.54	9.00	8056272
		RCF3621STAM	35000 [10.3]	25400 [7.4]	9600 [2.8]	14.50	12.00	1100 [519.1]	33400 [9.8]	3.54	22000 [6.4]	2.54	9.00	8056279
RP1536A11	R802VA075421MSA	RCF3621STAM	35800 [10.5]	26900 [7.9]	8900 [2.6]	15.00	12.50	1250 [589.9]	33800 [9.9]	3.66	22400 [6.6]	2.66	9.00	8087251
RP1536A11	R802VA075421MXA	RCF3621STAM	35800 [10.5]	26900 [7.9]	8900 [2.6]	15.00	12.50	1250 [589.9]	33800 [9.9]	3.66	22400 [6.6]	2.66	9.00	8113142
RP1536A11	R802VA075421ZSA	RCF3621STAM	35000 [10.3]	25300 [7.4]	9700 [2.8]	15.00	12.50	1075 [507.3]	33000 [9.7]	3.54	21600 [6.3]	2.54	9.00	7551394
RP1536A11	R802VA075421ZXA	RCF3621STAM	35000 [10.3]	25300 [7.4]	9700 [2.8]	15.00	12.50	1075 [507.3]	33000 [9.7]	3.54	21600 [6.3]	2.54	9.00	8056280
RP1536A11	R802VA100521MSA	RCF3621STAM	36000 [10.6]	26600 [7.8]	9400 [2.8]	15.00	12.50	1350 [637.1]	33800 [9.9]	3.66	22400 [6.6]	2.66	9.00	7551395
RP1536A11	R802VA100521MXA	RCF3621STAM	36000 [10.6]	26600 [7.8]	9400 [2.8]	15.00	12.50	1350 [637.1]	33800 [9.9]	3.66	22400 [6.6]	2.66	9.00	8056281
RP1536A11	R802VA100521ZSA	RCF3621STAM	35400 [10.4]	26200 [7.7]	9200 [2.7]	15.00	12.50	1200 [566.3]	34000 [10.0]	3.66	22400 [6.6]	2.66	9.00	7551396
		RCF3621STAM	35400 [10.4]	26200 [7.7]	9200 [2.7]	15.00	12.50	1200 [566.3]	34000 [10.0]	3.66	22400 [6.6]	2.66	9.00	8056282

[] Designates Metric Conversions

Performance Data @ AHRI Standard Conditions – Heat Pump (con't.)

R802V: Ultra 2-Stage 80% ECM Furnace Ratings														
Outdoor Unit	Furnace	Indoor Coil	Total Capacity BTU/H [kW]	Net Sensible BTU/H [kW]	Net Latent BTU/H [kW]	SEER	EER	Indoor CFM [L/s]	47 Degree Heating Capacity BTU/H [kW]	47 Degree COP	17 Degree Heating Capacity BTU/H [kW]	17 Degree COP	Region IV HSPF	AHRI#
RP1536A1J	R802VA100521ZXA	RCF3621STAM	35400 [10.4]	26200 [7.7]	9200 [2.7]	15.00	12.50	1200 [566.3]	34000 [10.0]	3.66	22400 [6.6]	2.66	9.00	8056282
RP1542AC1	R802VA07531ZSA	RCF4821STAM	41500 [12.2]	29300 [8.6]	12200 [3.6]	14.00	11.50	1325 [625.3]	40500 [11.9]	3.70	26000 [7.6]	2.54	9.00	7551402
RP1542AC1	R802VA07531ZXA	RCF4821STAM	41500 [12.2]	29300 [8.6]	12200 [3.6]	14.00	11.50	1325 [625.3]	40500 [11.9]	3.70	26000 [7.6]	2.54	9.00	8056288
RP1542AC1	R802VA075421MSA	RCF4821STAM	42000 [12.3]	30100 [8.8]	11900 [3.5]	14.50	12.00	1425 [672.5]	40000 [11.7]	3.76	25800 [7.6]	2.60	9.00	8087253
RP1542AC1	R802VA075421MXA	RCF4821STAM	42000 [12.3]	30100 [8.8]	11900 [3.5]	14.50	12.00	1425 [672.5]	40000 [11.7]	3.76	25800 [7.6]	2.60	9.00	8087255
RP1542AC1	R802VA075421ZSA	RCF4821STAM	42000 [12.3]	30100 [8.8]	11900 [3.5]	14.50	12.00	1425 [672.5]	40000 [11.7]	3.76	25800 [7.6]	2.60	9.00	8113144
RP1542AC1	R802VA075421ZXA	RCF4821STAM	42000 [12.3]	30100 [8.8]	11900 [3.5]	14.50	12.00	1425 [672.5]	40000 [11.7]	3.76	25800 [7.6]	2.60	9.00	8113146
RP1542AC1	R802VA100521MSA	RCF4821STAM	41500 [12.2]	28900 [8.5]	12600 [3.7]	14.50	12.00	1250 [589.9]	39500 [11.6]	3.70	25200 [7.4]	2.54	9.00	7551403
RP1542AC1	R802VA100521ZSA	RCF4821STAM	41500 [12.2]	28900 [8.5]	12600 [3.7]	14.50	12.00	1250 [589.9]	39500 [11.6]	3.70	25200 [7.4]	2.54	9.00	7551408
RP1542AC1	R802VA100521ZXA	RCF4821STAM	41500 [12.2]	28900 [8.5]	12600 [3.7]	14.50	12.00	1250 [589.9]	39500 [11.6]	3.70	25200 [7.4]	2.54	9.00	8056289
RP1542AC1	R802VA100521MSA	RCF4821STAM	42000 [12.3]	30100 [8.8]	11900 [3.5]	15.00	12.50	1350 [637.1]	40000 [11.7]	3.80	25400 [7.4]	2.66	9.00	8056297
RP1542AC1	R802VA100521MXA	RCF4821STAM	42000 [12.3]	30100 [8.8]	11900 [3.5]	15.00	12.50	1350 [637.1]	40000 [11.7]	3.80	25400 [7.4]	2.66	9.00	7551404
RP1542AC1	R802VA100521ZSA	RCF4821STAM	42000 [12.3]	30100 [8.8]	11900 [3.5]	15.00	12.50	1350 [637.1]	40000 [11.7]	3.80	25400 [7.4]	2.66	9.00	7551409
RP1542AC1	R802VA100521ZXA	RCF4821STAM	42000 [12.3]	30100 [8.8]	11900 [3.5]	15.00	12.50	1350 [637.1]	40000 [11.7]	3.80	25400 [7.4]	2.66	9.00	8056290
RP1542AC1	R802VA100521ZSA	RCF4821STAM	42000 [12.3]	30100 [8.8]	11900 [3.5]	15.00	12.50	1350 [637.1]	40000 [11.7]	3.80	25400 [7.4]	2.66	9.00	8056298
RP1542AC1	R802VA100521ZSA	RCF4821STAM	42000 [12.3]	30100 [8.8]	11900 [3.5]	14.50	12.00	1400 [660.7]	40000 [11.7]	3.76	25800 [7.6]	2.60	9.00	7551405
RP1542AC1	R802VA100521ZXA	RCF4821STAM	42000 [12.3]	30100 [8.8]	11900 [3.5]	14.50	12.00	1400 [660.7]	40000 [11.7]	3.76	25800 [7.6]	2.60	9.00	7551410
RP1542AC1	R802VA125524MSA	RCF4821STAM	42000 [12.3]	30100 [8.8]	11900 [3.5]	14.50	12.00	1400 [660.7]	40000 [11.7]	3.76	25800 [7.6]	2.60	9.00	8056291
RP1542AC1	R802VA125524MXA	RCF4821STAM	42000 [12.3]	30100 [8.8]	11900 [3.5]	14.50	12.00	1400 [660.7]	40000 [11.7]	3.76	25800 [7.6]	2.60	9.00	8056299
RP1542AC1	R802VA125524ZSA	RCF4821STAM	42000 [12.3]	30100 [8.8]	11900 [3.5]	15.00	12.50	1400 [660.7]	40000 [11.7]	3.80	25600 [7.5]	2.66	9.00	7551411
RP1542AC1	R802VA125524ZXA	RCF4821STAM	42000 [12.3]	30100 [8.8]	11900 [3.5]	15.00	12.50	1400 [660.7]	40000 [11.7]	3.80	25600 [7.5]	2.66	9.00	8056300
RP1542AC1	R802VA125524ZXA	RCF4821STAM	42000 [12.3]	30100 [8.8]	11900 [3.5]	14.50	12.00	1450 [684.3]	40000 [11.7]	3.70	25800 [7.6]	2.60	9.00	7551412
RP1542A1J	R802VA07531ZSA	RCF4821STAM	41500 [12.2]	29300 [8.6]	12200 [3.6]	14.00	11.50	1325 [625.3]	40500 [11.9]	3.70	26000 [7.6]	2.54	9.00	8056301
RP1542A1J	R802VA07531ZXA	RCF4821STAM	41500 [12.2]	29300 [8.6]	12200 [3.6]	14.00	11.50	1325 [625.3]	40500 [11.9]	3.70	26000 [7.6]	2.54	9.00	7551416
RP1542A1J	R802VA075421MSA	RCF4821STAM	42000 [12.3]	30100 [8.8]	11900 [3.5]	14.00	11.50	1325 [625.3]	40500 [11.9]	3.70	26000 [7.6]	2.54	9.00	8056307
RP1542A1J	R802VA075421MXA	RCF4821STAM	42000 [12.3]	30100 [8.8]	11900 [3.5]	14.00	11.50	1325 [625.3]	40500 [11.9]	3.70	26000 [7.6]	2.54	9.00	8087257
RP1542A1J	R802VA075421ZSA	RCF4821STAM	42000 [12.3]	30100 [8.8]	11900 [3.5]	14.00	11.50	1325 [625.3]	40500 [11.9]	3.70	26000 [7.6]	2.54	9.00	8087259
RP1542A1J	R802VA075421ZXA	RCF4821STAM	42000 [12.3]	30100 [8.8]	11900 [3.5]	14.00	11.50	1325 [625.3]	40500 [11.9]	3.70	26000 [7.6]	2.54	9.00	8113148
RP1542A1J	R802VA075421ZSA	RCF4821STAM	41500 [12.2]	28900 [8.5]	12600 [3.7]	14.50	12.00	1250 [589.9]	39500 [11.6]	3.70	25200 [7.4]	2.54	9.00	7551417
RP1542A1J	R802VA075421ZSA	RCF4821STAM	41500 [12.2]	28900 [8.5]	12600 [3.7]	14.50	12.00	1250 [589.9]	39500 [11.6]	3.70	25200 [7.4]	2.54	9.00	7551422
RP1542A1J	R802VA075421ZXA	RCF4821STAM	41500 [12.2]	28900 [8.5]	12600 [3.7]	14.50	12.00	1250 [589.9]	39500 [11.6]	3.70	25200 [7.4]	2.54	9.00	8056308
RP1542A1J	R802VA100521MSA	RCF4821STAM	42000 [12.3]	30100 [8.8]	11900 [3.5]	15.00	12.50	1350 [637.1]	40000 [11.7]	3.80	25400 [7.4]	2.66	9.00	8056316
RP1542A1J	R802VA100521ZSA	RCF4821STAM	42000 [12.3]	30100 [8.8]	11900 [3.5]	15.00	12.50	1350 [637.1]	40000 [11.7]	3.80	25400 [7.4]	2.66	9.00	7551418
RP1542A1J	R802VA100521ZXA	RCF4821STAM	42000 [12.3]	30100 [8.8]	11900 [3.5]	15.00	12.50	1350 [637.1]	40000 [11.7]	3.80	25400 [7.4]	2.66	9.00	7551423

[] Designates Metric Conversions

Performance Data @ AHRI Standard Conditions – Heat Pump (con't.)

R802V: Ultra 2-Stage 80% ECM Furnace Ratings														
Outdoor Unit	Furnace	Indoor Coil	Total Capacity BTU/H [kW]	Net Sensible BTU/H [kW]	Net Latent BTU/H [kW]	SEER	EER	Indoor CFM [L/s]	47 Degree Heating Capacity BTU/H [kW]	47 Degree COP	17 Degree Heating Capacity BTU/H [kW]	17 Degree COP	Region IV HSPF	AHRI#
RP1542A1	R802VA100521MXA	RCF4821STAM	42000 [12.3]	30100 [8.8]	11900 [3.5]	15.00	12.50	1350 [637.1]	40000 [11.7]	3.80	25400 [7.4]	2.66	9.00	8056309
		RCF4824STAM	42000 [12.3]	30100 [8.8]	11900 [3.5]	15.00	12.50	1350 [637.1]	40000 [11.7]	3.80	25400 [7.4]	2.66	9.00	8056317
RP1542A1	R802VA100521ZSA	RCF4821STAM	42000 [12.3]	30100 [8.8]	11900 [3.5]	14.50	12.00	1400 [660.7]	40000 [11.7]	3.76	25800 [7.6]	2.60	9.00	7551419
		RCF4824STAM	42000 [12.3]	30100 [8.8]	11900 [3.5]	14.50	12.00	1400 [660.7]	40000 [11.7]	3.76	25800 [7.6]	2.60	9.00	7551424
RP1542A1	R802VA100521ZXA	RCF4821STAM	42000 [12.3]	30100 [8.8]	11900 [3.5]	14.50	12.00	1400 [660.7]	40000 [11.7]	3.76	25800 [7.6]	2.60	9.00	8056310
		RCF4824STAM	42000 [12.3]	30100 [8.8]	11900 [3.5]	14.50	12.00	1400 [660.7]	40000 [11.7]	3.76	25800 [7.6]	2.60	9.00	8056318
RP1542A1	R802VA125524MSA	RCF4824STAM	42000 [12.3]	30100 [8.8]	11900 [3.5]	15.00	12.50	1400 [660.7]	40000 [11.7]	3.80	25600 [7.5]	2.66	9.00	7551425
		RCF4821STAM	42000 [12.3]	30100 [8.8]	11900 [3.5]	15.00	12.50	1400 [660.7]	40000 [11.7]	3.80	25600 [7.5]	2.66	9.00	8056319
RP1542A1	R802VA125524MXA	RCF4824STAM	42000 [12.3]	30100 [8.8]	11900 [3.5]	14.50	12.00	1450 [684.3]	40000 [11.7]	3.70	25800 [7.6]	2.60	9.00	7551426
		RCF4821STAM	42000 [12.3]	30100 [8.8]	11900 [3.5]	14.50	12.00	1450 [684.3]	40000 [11.7]	3.70	25800 [7.6]	2.60	9.00	8056320
RP1548AC1	R802VA075421MSA	RCF4821STAM	46000 [13.5]	32600 [9.6]	13400 [3.9]	15.00	12.50	1425 [672.5]	44000 [12.9]	3.66	28400 [8.3]	2.54	9.00	8087261
		RCF4824STAM	46000 [13.5]	32600 [9.6]	13400 [3.9]	15.00	12.50	1425 [672.5]	44000 [12.9]	3.66	28400 [8.3]	2.54	9.00	8087263
RP1548AC1	R802VA075421MXA	RCF4821STAM	46000 [13.5]	32600 [9.6]	13400 [3.9]	15.00	12.50	1425 [672.5]	44000 [12.9]	3.66	28400 [8.3]	2.54	9.00	8113151
		RCF4824STAM	46000 [13.5]	32600 [9.6]	13400 [3.9]	15.00	12.50	1425 [672.5]	44000 [12.9]	3.66	28400 [8.3]	2.54	9.00	8113153
RP1548AC1	R802VA075421ZSA	RCF4821STAM	46000 [13.5]	32700 [9.6]	13300 [3.9]	14.50	12.00	1450 [684.3]	44500 [13.0]	3.60	29000 [8.5]	2.50	9.00	7551430
		RCF4824STAM	46000 [13.5]	32700 [9.6]	13300 [3.9]	14.50	12.00	1450 [684.3]	44500 [13.0]	3.60	29000 [8.5]	2.50	9.00	7551435
RP1548AC1	R802VA075421ZXA	RCF4821STAM	46000 [13.5]	32700 [9.6]	13300 [3.9]	14.50	12.00	1450 [684.3]	44500 [13.0]	3.60	29000 [8.5]	2.50	9.00	8056325
		RCF4824STAM	46000 [13.5]	32700 [9.6]	13300 [3.9]	14.50	12.00	1450 [684.3]	44500 [13.0]	3.60	29000 [8.5]	2.50	9.00	8056333
RP1548AC1	R802VA100521MSA	RCF4821STAM	46500 [13.6]	32900 [9.6]	13600 [4.0]	15.50	12.50	1400 [660.7]	43500 [12.7]	3.66	28200 [8.3]	2.54	9.00	7551431
		RCF4824STAM	46500 [13.6]	32900 [9.6]	13600 [4.0]	15.50	12.50	1400 [660.7]	43500 [12.7]	3.66	28200 [8.3]	2.54	9.00	7551436
RP1548AC1	R802VA100521MXA	RCF4821STAM	46500 [13.6]	32900 [9.6]	13600 [4.0]	15.50	12.50	1400 [660.7]	43500 [12.7]	3.66	28200 [8.3]	2.54	9.00	8056326
		RCF4824STAM	46500 [13.6]	32900 [9.6]	13600 [4.0]	15.50	12.50	1400 [660.7]	43500 [12.7]	3.66	28200 [8.3]	2.54	9.00	8056334
RP1548AC1	R802VA100521ZSA	RCF4821STAM	46000 [13.5]	32700 [9.6]	13300 [3.9]	15.00	12.50	1450 [684.3]	44500 [13.0]	3.66	28800 [8.4]	2.54	9.00	7551432
		RCF4824STAM	46000 [13.5]	32700 [9.6]	13300 [3.9]	15.00	12.50	1450 [684.3]	44500 [13.0]	3.66	28800 [8.4]	2.54	9.00	7551437
RP1548AC1	R802VA100521ZXA	RCF4821STAM	46000 [13.5]	32700 [9.6]	13300 [3.9]	15.00	12.50	1450 [684.3]	44500 [13.0]	3.66	28800 [8.4]	2.54	9.00	8056327
		RCF4824STAM	46000 [13.5]	32700 [9.6]	13300 [3.9]	15.00	12.50	1450 [684.3]	44500 [13.0]	3.66	28800 [8.4]	2.54	9.00	8056335
RP1548AC1	R802VA125524MSA	RCF4824STAM	46000 [13.5]	32100 [9.4]	13900 [4.1]	15.50	13.00	1350 [637.1]	43000 [12.6]	3.60	27800 [8.1]	2.54	9.00	7551438
		RCF4821STAM	46000 [13.5]	32100 [9.4]	13900 [4.1]	15.50	13.00	1350 [637.1]	43000 [12.6]	3.60	27800 [8.1]	2.54	9.00	8056336
RP1548AC1	R802VA125524MXA	RCF4824STAM	46000 [13.5]	32100 [9.4]	13900 [4.1]	15.50	13.00	1350 [637.1]	43000 [12.6]	3.60	27800 [8.1]	2.54	9.00	7551439
		RCF4821STAM	46500 [13.6]	33500 [9.8]	13000 [3.8]	15.00	12.50	1500 [707.9]	44500 [13.0]	3.66	29000 [8.5]	2.60	9.00	8056337
RP1548AC1	R802VA125524ZSA	RCF4824STAM	46500 [13.6]	33500 [9.8]	13000 [3.8]	15.00	12.50	1500 [707.9]	44500 [13.0]	3.66	29000 [8.5]	2.60	9.00	8056337
		RCF4821STAM	46500 [13.6]	33500 [9.8]	13000 [3.8]	15.00	12.50	1500 [707.9]	44500 [13.0]	3.66	29000 [8.5]	2.60	9.00	8087265
RP1548AC1	R802VA125524ZXA	RCF4824STAM	46000 [13.5]	32600 [9.6]	13400 [3.9]	15.00	12.50	1425 [672.5]	44000 [12.9]	3.66	28400 [8.3]	2.54	9.00	8087267
		RCF4821STAM	46000 [13.5]	32600 [9.6]	13400 [3.9]	15.00	12.50	1425 [672.5]	44000 [12.9]	3.66	28400 [8.3]	2.54	9.00	8113154
RP1548AC1	R802VA075421MSA	RCF4824STAM	46000 [13.5]	32600 [9.6]	13400 [3.9]	15.00	12.50	1425 [672.5]	44000 [12.9]	3.66	28400 [8.3]	2.54	9.00	8113154
		RCF4821STAM	46000 [13.5]	32600 [9.6]	13400 [3.9]	15.00	12.50	1425 [672.5]	44000 [12.9]	3.66	28400 [8.3]	2.54	9.00	8113156

[] Designates Metric Conversions

Performance Data @ AHRI Standard Conditions – Heat Pump (con't.)

R802V: Ultra 2-Stage 80% ECM Furnace Ratings														
Outdoor Unit	Furnace	Indoor Coil	Total Capacity BTU/H [kW]	Net Sensible BTU/H [kW]	Net Latent BTU/H [kW]	SEER	EER	Indoor CFM [L/s]	47 Degree Heating Capacity [kW]	47 Degree COP	17 Degree Heating Capacity [kW]	17 Degree COP	Region IV HSPF	AHRI#
RP1548AJ1	R802VA075421ZSA	RCF4821STAM	46000 [13.5]	32700 [9.6]	13300 [3.9]	14.50	12.00	1450 [684.3]	44500 [13.0]	3.60	29000 [8.5]	2.50	9.00	7551443
		RCF4824STAM	46000 [13.5]	32700 [9.6]	13300 [3.9]	14.50	12.00	1450 [684.3]	44500 [13.0]	3.60	29000 [8.5]	2.50	9.00	7551448
RP1548AJ1	R802VA075421ZXA	RCF4821STAM	46000 [13.5]	32700 [9.6]	13300 [3.9]	14.50	12.00	1450 [684.3]	44500 [13.0]	3.60	29000 [8.5]	2.50	9.00	8056342
		RCF4824STAM	46000 [13.5]	32700 [9.6]	13300 [3.9]	14.50	12.00	1450 [684.3]	44500 [13.0]	3.60	29000 [8.5]	2.50	9.00	8056350
RP1548AJ1	R802VA100521MSA	RCF4821STAM	46500 [13.6]	32900 [9.6]	13600 [4.0]	15.50	12.50	1400 [660.7]	43500 [12.7]	3.66	28200 [8.3]	2.54	9.00	7551444
		RCF4824STAM	46500 [13.6]	32900 [9.6]	13600 [4.0]	15.50	12.50	1400 [660.7]	43500 [12.7]	3.66	28200 [8.3]	2.54	9.00	7551449
RP1548AJ1	R802VA100521MXA	RCF4821STAM	46500 [13.6]	32900 [9.6]	13600 [4.0]	15.50	12.50	1400 [660.7]	43500 [12.7]	3.66	28200 [8.3]	2.54	9.00	8056343
		RCF4824STAM	46500 [13.6]	32900 [9.6]	13600 [4.0]	15.50	12.50	1400 [660.7]	43500 [12.7]	3.66	28200 [8.3]	2.54	9.00	8056351
RP1548AJ1	R802VA100521ZSA	RCF4821STAM	46000 [13.5]	32700 [9.6]	13300 [3.9]	15.00	12.50	1450 [684.3]	44500 [13.0]	3.66	28800 [8.4]	2.54	9.00	7551445
		RCF4824STAM	46000 [13.5]	32700 [9.6]	13300 [3.9]	15.00	12.50	1450 [684.3]	44500 [13.0]	3.66	28800 [8.4]	2.54	9.00	7551450
RP1548AJ1	R802VA100521ZXA	RCF4821STAM	46000 [13.5]	32700 [9.6]	13300 [3.9]	15.00	12.50	1450 [684.3]	44500 [13.0]	3.66	28800 [8.4]	2.54	9.00	8056344
		RCF4824STAM	46000 [13.5]	32700 [9.6]	13300 [3.9]	15.00	12.50	1450 [684.3]	44500 [13.0]	3.66	28800 [8.4]	2.54	9.00	8056352
RP1548AJ1	R802VA125524MSA	RCF4824STAM	46000 [13.5]	32100 [9.4]	13900 [4.1]	15.50	13.00	1350 [637.1]	43000 [12.6]	3.60	27800 [8.1]	2.54	9.00	7551451
RP1548AJ1	R802VA125524MXA	RCF4824STAM	46000 [13.5]	32100 [9.4]	13900 [4.1]	15.50	13.00	1350 [637.1]	43000 [12.6]	3.60	27800 [8.1]	2.54	9.00	8056353
RP1548AJ1	R802VA125524ZSA	RCF4824STAM	46500 [13.6]	33500 [9.8]	13000 [3.8]	15.00	12.50	1500 [707.9]	44500 [13.0]	3.66	29000 [8.5]	2.60	9.00	7551452
RP1548AJ1	R802VA125524ZXA	RCF4824STAM	46500 [13.6]	33500 [9.8]	13000 [3.8]	15.00	12.50	1500 [707.9]	44500 [13.0]	3.66	29000 [8.5]	2.60	9.00	8056354
RP1560AC1	R802VA075421MSA	RCF6024HTAM	57000 [16.7]	40800 [12.0]	16200 [4.7]	14.00	11.50	1725 [814.1]	56000 [16.4]	3.70	35800 [10.5]	2.60	9.00	8087269
		RCF6024STAM	57000 [16.7]	40800 [12.0]	16200 [4.7]	14.00	11.50	1725 [814.1]	56000 [16.4]	3.70	35800 [10.5]	2.60	9.00	8087271
RP1560AC1	R802VA075421MXA	RCF6024HTAM	57000 [16.7]	40800 [12.0]	16200 [4.7]	14.00	11.50	1725 [814.1]	56000 [16.4]	3.70	35800 [10.5]	2.60	9.00	8113158
		RCF6024STAM	57000 [16.7]	40800 [12.0]	16200 [4.7]	14.00	11.50	1725 [814.1]	56000 [16.4]	3.70	35800 [10.5]	2.60	9.00	8113159
RP1560AC1	R802VA100521MSA	RCF6024HTAM	58000 [17.0]	42200 [12.4]	15800 [4.6]	14.50	12.00	1775 [837.7]	56000 [16.4]	3.80	35800 [10.5]	2.66	9.00	7551457
		RCF6024STAM	58000 [17.0]	42200 [12.4]	15800 [4.6]	14.50	12.00	1775 [837.7]	56000 [16.4]	3.80	35800 [10.5]	2.66	9.00	7551463
RP1560AC1	R802VA100521MXA	RCF6024HTAM	58000 [17.0]	42200 [12.4]	15800 [4.6]	14.50	12.00	1775 [837.7]	56000 [16.4]	3.80	35800 [10.5]	2.66	9.00	8056360
		RCF6024STAM	58000 [17.0]	42200 [12.4]	15800 [4.6]	14.50	12.00	1775 [837.7]	56000 [16.4]	3.80	35800 [10.5]	2.66	9.00	8056369
RP1560AC1	R802VA100521ZSA	RCF6024HTAM	57500 [16.9]	41900 [12.3]	15600 [4.6]	14.00	11.50	1800 [849.5]	56500 [16.6]	3.70	36200 [10.6]	2.60	9.00	7551458
		RCF6024STAM	57500 [16.9]	41900 [12.3]	15600 [4.6]	14.00	11.50	1800 [849.5]	56500 [16.6]	3.70	36200 [10.6]	2.60	9.00	7551464
RP1560AC1	R802VA100521ZXA	RCF6024HTAM	57500 [16.9]	41900 [12.3]	15600 [4.6]	14.00	11.50	1800 [849.5]	56500 [16.6]	3.70	36200 [10.6]	2.60	9.00	8056361
		RCF6024STAM	57500 [16.9]	41900 [12.3]	15600 [4.6]	14.00	11.50	1800 [849.5]	56500 [16.6]	3.70	36200 [10.6]	2.60	9.00	8056370
RP1560AC1	R802VA125524MSA	RCF6024HTAM	57500 [16.9]	41300 [12.1]	16200 [4.7]	15.00	12.50	1725 [814.1]	55500 [16.3]	3.80	35200 [10.3]	2.66	9.00	7551459
		RCF6024STAM	57500 [16.9]	41300 [12.1]	16200 [4.7]	15.00	12.50	1725 [814.1]	55500 [16.3]	3.80	35200 [10.3]	2.66	9.00	7551465
RP1560AC1	R802VA125524MXA	RCF6024HTAM	57500 [16.9]	41300 [12.1]	16200 [4.7]	15.00	12.50	1725 [814.1]	55500 [16.3]	3.80	35200 [10.3]	2.66	9.00	8056362
		RCF6024STAM	57500 [16.9]	41300 [12.1]	16200 [4.7]	15.00	12.50	1725 [814.1]	55500 [16.3]	3.80	35200 [10.3]	2.66	9.00	8056371
RP1560AC1	R802VA125524ZSA	RCF6024HTAM	57500 [16.9]	41500 [12.2]	16000 [4.7]	14.00	11.50	1750 [825.9]	56500 [16.6]	3.76	36000 [10.6]	2.60	9.00	7551460
		RCF6024STAM	57500 [16.9]	41500 [12.2]	16000 [4.7]	14.00	11.50	1750 [825.9]	56500 [16.6]	3.76	36000 [10.6]	2.60	9.00	7551466

[] Designates Metric Conversions

Performance Data @ AHRI Standard Conditions – Heat Pump (con't.)

R802V: Ultra 2-Stage 80% ECM Furnace Ratings														
Outdoor Unit	Furnace	Indoor Coil	Total Capacity BTU/H [kW]	Net Sensible BTU/H [kW]	Net Latent BTU/H [kW]	SEER	EER	Indoor CFM [L/s]	47 Degree Heating Capacity BTU/H [kW]	47 Degree COP	17 Degree Heating Capacity BTU/H [kW]	17 Degree COP	Region IV HSPF	AHRI#
RP1560AC1	R802VA125524ZXA	RCF6024HTAM	57500 [16.9]	41500 [12.2]	16000 [4.7]	14.00	11.50	1750 [825.9]	56500 [16.6]	3.76	36000 [10.6]	2.60	9.00	8056363
		RCF6024STAM	57500 [16.9]	41500 [12.2]	16000 [4.7]	14.00	11.50	1750 [825.9]	56500 [16.6]	3.76	36000 [10.6]	2.60	9.00	8056372
RP1560AJ1	R802VA075421MSA	RCF6024HTAM	57000 [16.7]	40800 [12.0]	16200 [4.7]	14.00	11.50	1725 [814.1]	56000 [16.4]	3.70	35800 [10.5]	2.60	9.00	8087273
		RCF6024STAM	57000 [16.7]	40800 [12.0]	16200 [4.7]	14.00	11.50	1725 [814.1]	56000 [16.4]	3.70	35800 [10.5]	2.60	9.00	8087275
RP1560AJ1	R802VA075421MXA	RCF6024HTAM	57000 [16.7]	40800 [12.0]	16200 [4.7]	14.00	11.50	1725 [814.1]	56000 [16.4]	3.70	35800 [10.5]	2.60	9.00	8113161
		RCF6024STAM	57000 [16.7]	40800 [12.0]	16200 [4.7]	14.00	11.50	1725 [814.1]	56000 [16.4]	3.70	35800 [10.5]	2.60	9.00	8113163
RP1560AJ1	R802VA100521MSA	RCF6024HTAM	58000 [17.0]	42200 [12.4]	15800 [4.6]	14.50	12.00	1775 [837.7]	56000 [16.4]	3.80	35800 [10.5]	2.66	9.00	7551469
		RCF6024STAM	58000 [17.0]	42200 [12.4]	15800 [4.6]	14.50	12.00	1775 [837.7]	56000 [16.4]	3.80	35800 [10.5]	2.66	9.00	7551475
RP1560AJ1	R802VA100521MXA	RCF6024HTAM	58000 [17.0]	42200 [12.4]	15800 [4.6]	14.50	12.00	1775 [837.7]	56000 [16.4]	3.80	35800 [10.5]	2.66	9.00	8056378
		RCF6024STAM	58000 [17.0]	42200 [12.4]	15800 [4.6]	14.50	12.00	1775 [837.7]	56000 [16.4]	3.80	35800 [10.5]	2.66	9.00	8056387
RP1560AJ1	R802VA100521ZSA	RCF6024HTAM	57500 [16.9]	41900 [12.3]	15600 [4.6]	14.00	11.50	1800 [849.5]	56500 [16.6]	3.70	36200 [10.6]	2.60	9.00	7551470
		RCF6024STAM	57500 [16.9]	41900 [12.3]	15600 [4.6]	14.00	11.50	1800 [849.5]	56500 [16.6]	3.70	36200 [10.6]	2.60	9.00	7551476
RP1560AJ1	R802VA100521ZXA	RCF6024HTAM	57500 [16.9]	41900 [12.3]	15600 [4.6]	14.00	11.50	1800 [849.5]	56500 [16.6]	3.70	36200 [10.6]	2.60	9.00	8056379
		RCF6024STAM	57500 [16.9]	41900 [12.3]	15600 [4.6]	14.00	11.50	1800 [849.5]	56500 [16.6]	3.70	36200 [10.6]	2.60	9.00	8056388
RP1560AJ1	R802VA125524MSA	RCF6024HTAM	57500 [16.9]	41300 [12.1]	16200 [4.7]	15.00	12.50	1725 [814.1]	55500 [16.3]	3.80	35200 [10.3]	2.66	9.00	7551471
		RCF6024STAM	57500 [16.9]	41300 [12.1]	16200 [4.7]	15.00	12.50	1725 [814.1]	55500 [16.3]	3.80	35200 [10.3]	2.66	9.00	7551478
RP1560AJ1	R802VA125524MXA	RCF6024HTAM	57500 [16.9]	41300 [12.1]	16200 [4.7]	15.00	12.50	1725 [814.1]	55500 [16.3]	3.80	35200 [10.3]	2.66	9.00	8056380
		RCF6024STAM	57500 [16.9]	41300 [12.1]	16200 [4.7]	15.00	12.50	1725 [814.1]	55500 [16.3]	3.80	35200 [10.3]	2.66	9.00	8056389
RP1560AJ1	R802VA125524ZSA	RCF6024HTAM	57500 [16.9]	41500 [12.2]	16000 [4.7]	14.00	11.50	1750 [825.9]	56500 [16.6]	3.76	36000 [10.6]	2.60	9.00	7551472
		RCF6024STAM	57500 [16.9]	41500 [12.2]	16000 [4.7]	14.00	11.50	1750 [825.9]	56500 [16.6]	3.76	36000 [10.6]	2.60	9.00	7551479
RP1560AJ1	R802VA125524ZXA	RCF6024HTAM	57500 [16.9]	41500 [12.2]	16000 [4.7]	14.00	11.50	1750 [825.9]	56500 [16.6]	3.76	36000 [10.6]	2.60	9.00	8056381
		RCF6024STAM	57500 [16.9]	41500 [12.2]	16000 [4.7]	14.00	11.50	1750 [825.9]	56500 [16.6]	3.76	36000 [10.6]	2.60	9.00	8056390

[] Designates Metric Conversions

Performance Data @ AHRI Standard Conditions – Heat Pump (con't.)

R95T: 95% AFUE single-stage Constant Torque Multipurpose Gas Furnace Ratings														
Outdoor Unit	Furnace	Indoor Coil	Total Capacity BTU/H [kW]	Net Sensible BTU/H [kW]	Net Latent BTU/H [kW]	SEER	EER	Indoor CFM [L/s]	47 Degree Heating Capacity BTU/H [kW]	47 Degree COP	17 Degree Heating Capacity BTU/H [kW]	17 Degree COP	Region IV HSPF	AHRI#
RP1518B1J	R95TA0401317MSA	RCF2417STAM	18000 [5.3]	14000 [4.1]	4000 [1.2]	15.50	13.00	650 [306.8]	15800 [4.6]	3.60	9200 [2.7]	2.34	9.00	8224057
RP1524B1J	R95TA0401317MSA	RCF2417STAM	24000 [7.0]	17900 [5.2]	6100 [1.8]	15.00	12.50	850 [401.2]	22000 [6.4]	3.66	13600 [4.0]	2.46	9.00	8171186
RP1524B1J	R95TA0601317MSA	RCF2417STAM	23800 [7.0]	17700 [5.2]	6100 [1.8]	15.00	12.50	825 [389.4]	22200 [6.5]	3.60	13700 [4.0]	2.46	9.00	8171187
RP1524B1J	R95TA0701317MSA	RCF2417STAM	23800 [7.0]	17700 [5.2]	6100 [1.8]	15.00	12.50	825 [389.4]	22200 [6.5]	3.60	13700 [4.0]	2.46	8.50	8171188
RP1530B1J	R95TA0401317MSA	RCF3617STAM	28800 [8.4]	21400 [6.3]	7400 [2.2]	15.50	13.00	925 [436.6]	26600 [7.8]	3.60	16300 [4.8]	2.30	8.50	8224089
RP1530B1J	R95TA0601317MSA	RCF3621STAM	28800 [8.4]	21500 [6.3]	7300 [2.1]	15.50	13.00	950 [448.4]	26800 [7.9]	3.66	16500 [4.8]	2.34	8.50	8224135
RP1530B1J	R95TA0601317MSA	RCF3617STAM	29000 [8.5]	21900 [6.4]	7100 [2.1]	14.50	12.00	1025 [483.7]	27400 [8.0]	3.60	17000 [5.0]	2.34	8.50	8224090
RP1530B1J	R95TA0701317MSA	RCF3621STAM	29000 [8.5]	21900 [6.4]	7100 [2.1]	14.50	12.00	1025 [483.7]	27400 [8.0]	3.60	17000 [5.0]	2.34	8.50	8224136
RP1530B1J	R95TA0701317MSA	RCF3617STAM	28600 [8.4]	21200 [6.2]	7400 [2.2]	15.00	12.50	925 [436.6]	26600 [7.8]	3.50	16400 [4.8]	2.26	8.50	8224091
RP1536A1J	R95TA0401317MSA	RCF3621STAM	28600 [8.4]	21200 [6.2]	7400 [2.2]	15.00	12.50	925 [436.6]	26800 [7.9]	3.54	16600 [4.9]	2.30	8.50	8224137
RP1536A1J	R95TA0401317MSA	RCF3617STAM	35000 [10.3]	25500 [7.5]	9500 [2.8]	14.50	12.00	1125 [530.9]	34000 [10.0]	3.54	22200 [6.5]	2.54	9.00	7512029
RP1536A1J	R95TA0701317MSA	RCF3621STAM	35200 [10.3]	25800 [7.6]	9400 [2.8]	14.50	12.00	1150 [542.7]	34200 [10.0]	3.60	22400 [6.6]	2.60	9.00	7512044
RP1536A1J	R95TA0701317MSA	RCF3617STAM	34600 [10.1]	24900 [7.3]	9700 [2.8]	14.00	11.50	1075 [507.3]	33800 [9.9]	3.46	22200 [6.5]	2.50	8.50	7512030
RP1536A1J	R95TA0701317MSA	RCF3621STAM	34800 [10.2]	25200 [7.4]	9600 [2.8]	14.00	11.50	1100 [519.1]	34000 [10.0]	3.54	22400 [6.6]	2.50	9.00	7512045
RP1536A1J	R95TA0401317MSA	RCF3617STAM	35000 [10.3]	25500 [7.5]	9500 [2.8]	14.50	12.00	1125 [530.9]	34000 [10.0]	3.54	22200 [6.5]	2.54	9.00	7512075
RP1536A1J	R95TA0701317MSA	RCF3621STAM	35200 [10.3]	25800 [7.6]	9400 [2.8]	14.50	12.00	1150 [542.7]	34200 [10.0]	3.60	22400 [6.6]	2.60	9.00	7512090
RP1536A1J	R95TA0701317MSA	RCF3617STAM	34600 [10.1]	24900 [7.3]	9700 [2.8]	14.00	11.50	1075 [507.3]	33800 [9.9]	3.46	22200 [6.5]	2.50	8.50	7512076
RP1542A1J	R95TA0851521MSA	RCF3621STAM	34800 [10.2]	25200 [7.4]	9600 [2.8]	14.00	11.50	1100 [519.1]	34000 [10.0]	3.54	22400 [6.6]	2.50	9.00	7512091
RP1542A1J	R95TA0851521MSA	RCF4821STAM	42000 [12.3]	29800 [8.7]	12200 [3.6]	14.00	11.50	1325 [625.3]	40500 [11.9]	3.70	26000 [7.6]	2.54	9.00	7512262
RP1542A1J	R95TA0851521MSB	RCF4824STAM	42000 [12.3]	29800 [8.7]	12200 [3.6]	14.00	11.50	1325 [625.3]	40500 [11.9]	3.70	26000 [7.6]	2.54	9.00	7512282
RP1542A1J	R95TA1001521MSA	RCF4821STAM	42000 [12.3]	29800 [8.7]	12200 [3.6]	14.00	11.50	1325 [625.3]	40500 [11.9]	3.70	26000 [7.6]	2.54	9.00	8315532
RP1542A1J	R95TA1001521MSB	RCF4824STAM	42000 [12.3]	29800 [8.7]	12200 [3.6]	14.00	11.50	1325 [625.3]	40500 [11.9]	3.70	26000 [7.6]	2.54	9.00	8315533
RP1542A1J	R95TA1151524MSA	RCF4821STAM	42000 [12.3]	30200 [8.9]	11800 [3.5]	14.00	11.50	1400 [660.7]	40500 [11.9]	3.66	26000 [7.6]	2.54	9.00	7512263
RP1542A1J	R95TA1151524MSA	RCF4824STAM	42000 [12.3]	30200 [8.9]	11800 [3.5]	14.00	11.50	1400 [660.7]	40500 [11.9]	3.66	26000 [7.6]	2.54	9.00	7512283
RP1542A1J	R95TA0851521MSA	RCF4824STAM	41500 [12.2]	29000 [8.5]	12500 [3.7]	14.00	11.50	1275 [601.7]	40500 [11.9]	3.70	25800 [7.6]	2.60	9.00	7512284
RP1542A1J	R95TA0851521MSB	RCF4821STAM	42000 [12.3]	29800 [8.7]	12200 [3.6]	14.00	11.50	1325 [625.3]	40500 [11.9]	3.70	26000 [7.6]	2.54	9.00	7512310
RP1542A1J	R95TA0851521MSB	RCF4824STAM	42000 [12.3]	29800 [8.7]	12200 [3.6]	14.00	11.50	1325 [625.3]	40500 [11.9]	3.70	26000 [7.6]	2.54	9.00	7512330
RP1542A1J	R95TA1001521MSA	RCF4821STAM	42000 [12.3]	29800 [8.7]	12200 [3.6]	14.00	11.50	1325 [625.3]	40500 [11.9]	3.70	26000 [7.6]	2.54	9.00	8315535
RP1542A1J	R95TA1001521MSB	RCF4824STAM	42000 [12.3]	29800 [8.7]	12200 [3.6]	14.00	11.50	1325 [625.3]	40500 [11.9]	3.70	26000 [7.6]	2.54	9.00	8315536
RP1542A1J	R95TA1151524MSA	RCF4821STAM	42000 [12.3]	30200 [8.9]	11800 [3.5]	14.00	11.50	1400 [660.7]	40500 [11.9]	3.66	26000 [7.6]	2.54	9.00	7512311
RP1542A1J	R95TA1151524MSA	RCF4824STAM	42000 [12.3]	30200 [8.9]	11800 [3.5]	14.00	11.50	1400 [660.7]	40500 [11.9]	3.66	26000 [7.6]	2.54	9.00	7512331
RP1548A1J	R95TA1151524MSA	RCF4821STAM	41500 [12.2]	29000 [8.5]	12500 [3.7]	14.00	11.50	1275 [601.7]	40500 [11.9]	3.70	25800 [7.6]	2.60	9.00	7512332
RP1548A1J	R95TA0851521MSA	RCF4821STAM	46000 [13.5]	32600 [9.6]	13400 [3.9]	14.50	12.00	1425 [672.5]	45000 [13.2]	3.54	29400 [8.6]	2.54	9.00	7512121
RP1548A1J	R95TA0851521MSB	RCF4824STAM	46000 [13.5]	32600 [9.6]	13400 [3.9]	14.50	12.00	1425 [672.5]	45000 [13.2]	3.54	29400 [8.6]	2.54	9.00	7512135

[] Designates Metric Conversions

Performance Data @ AHRI Standard Conditions – Heat Pump (con't.)

R95T: 95% AFUE single-stage Constant Torque Multiphase Gas Furnace Ratings														
Outdoor Unit	Furnace	Indoor Coil	Total Capacity BTU/H [kW]	Net Sensible BTU/H [kW]	Net Latent BTU/H [kW]	SEER	EER	Indoor CFM [L/s]	47 Degree Heating Capacity BTU/H [kW]	47 Degree COP	17 Degree Heating Capacity BTU/H [kW]	17 Degree COP	Region IV HSPF	AHRI#
RP1548AC1	R95TA1001521MSA	RCF4821STAM	46000 [13.5]	33000 [9.7]	13000 [3.8]	14.50	12.00	1500 [707.9]	45000 [13.2]	3.54	29400 [8.6]	2.54	9.00	7512122
RP1548AC1	R95TA1151524MSA	RCF4824STAM	46000 [13.5]	33000 [9.7]	13000 [3.8]	14.50	12.00	1500 [707.9]	45000 [13.2]	3.54	29400 [8.6]	2.54	9.00	7512136
RP1548AC1	R95TA1151524MSA	RCF4824STAM	46000 [13.5]	32400 [9.5]	13600 [4.0]	14.50	12.00	1400 [660.7]	45000 [13.2]	3.60	29000 [8.5]	2.50	9.00	7512137
RP1548AJ1	R95TA0851521MSA	RCF4821STAM	46000 [13.5]	32600 [9.6]	13400 [3.9]	14.50	12.00	1425 [672.5]	45000 [13.2]	3.54	29400 [8.6]	2.54	9.00	7512158
RP1548AJ1	R95TA0851521MSA	RCF4824STAM	46000 [13.5]	32600 [9.6]	13400 [3.9]	14.50	12.00	1425 [672.5]	45000 [13.2]	3.54	29400 [8.6]	2.54	9.00	7512172
RP1548AJ1	R95TA1001521MSA	RCF4821STAM	46000 [13.5]	33000 [9.7]	13000 [3.8]	14.50	12.00	1500 [707.9]	45000 [13.2]	3.54	29400 [8.6]	2.54	9.00	7512159
RP1548AJ1	R95TA1151524MSA	RCF4824STAM	46000 [13.5]	33000 [9.7]	13000 [3.8]	14.50	12.00	1500 [707.9]	45000 [13.2]	3.54	29400 [8.6]	2.54	9.00	7512173
RP1548AJ1	R95TA1151524MSA	RCF4824STAM	46000 [13.5]	32400 [9.5]	13600 [4.0]	14.50	12.00	1400 [660.7]	45000 [13.2]	3.60	29000 [8.5]	2.50	9.00	7512174
RP1560AC1	R95TA0851521MSA	RCF6024HTAM	56500 [16.6]	39700 [11.6]	16800 [4.9]	14.00	11.50	1650 [778.7]	56500 [16.6]	3.66	35600 [10.4]	2.54	9.00	7512196
RP1560AC1	R95TA0851521MSA	RCF6024STAM	56500 [16.6]	39700 [11.6]	16800 [4.9]	14.00	11.50	1650 [778.7]	56500 [16.6]	3.66	35600 [10.4]	2.54	9.00	7512210
RP1560AC1	R95TA1001521MSA	RCF6024HTAM	57000 [16.7]	40800 [12.0]	16200 [4.7]	14.00	11.50	1725 [814.1]	57000 [16.7]	3.66	36200 [10.6]	2.54	9.00	7512197
RP1560AC1	R95TA1001521MSA	RCF6024STAM	57000 [16.7]	40800 [12.0]	16200 [4.7]	14.00	11.50	1725 [814.1]	57000 [16.7]	3.66	36200 [10.6]	2.54	9.00	7512211
RP1560AC1	R95TA1151524MSA	RCF6024HTAM	56500 [16.6]	39300 [11.5]	17200 [5.0]	14.00	11.50	1600 [755.1]	55500 [16.3]	3.66	35200 [10.3]	2.50	9.00	7512198
RP1560AC1	R95TA1151524MSA	RCF6024STAM	56500 [16.6]	39300 [11.5]	17200 [5.0]	14.00	11.50	1600 [755.1]	55500 [16.3]	3.66	35200 [10.3]	2.50	9.00	7512212
RP1560AJ1	R95TA0851521MSA	RCF6024HTAM	56500 [16.6]	39700 [11.6]	16800 [4.9]	14.00	11.50	1650 [778.7]	56500 [16.6]	3.66	35600 [10.4]	2.54	9.00	7512229
RP1560AJ1	R95TA0851521MSA	RCF6024STAM	56500 [16.6]	39700 [11.6]	16800 [4.9]	14.00	11.50	1650 [778.7]	56500 [16.6]	3.66	35600 [10.4]	2.54	9.00	7512243
RP1560AJ1	R95TA1001521MSA	RCF6024HTAM	57000 [16.7]	40800 [12.0]	16200 [4.7]	14.00	11.50	1725 [814.1]	57000 [16.7]	3.66	36200 [10.6]	2.54	9.00	7512230
RP1560AJ1	R95TA1001521MSA	RCF6024STAM	57000 [16.7]	40800 [12.0]	16200 [4.7]	14.00	11.50	1725 [814.1]	57000 [16.7]	3.66	36200 [10.6]	2.54	9.00	7512244
RP1560AJ1	R95TA1151524MSA	RCF6024HTAM	56500 [16.6]	39300 [11.5]	17200 [5.0]	14.00	11.50	1600 [755.1]	55500 [16.3]	3.66	35200 [10.3]	2.50	9.00	7512231
RP1560AJ1	R95TA1151524MSA	RCF6024STAM	56500 [16.6]	39300 [11.5]	17200 [5.0]	14.00	11.50	1600 [755.1]	55500 [16.3]	3.66	35200 [10.3]	2.50	9.00	7512245

[] Designates Metric Conversions

Performance Data @ AHRI Standard Conditions – Heat Pump (con't.)

R96V: 96% AFUE 2-stage Variable Speed Multiphase Gas Furnace Ratings														
Outdoor Unit	Furnace	Indoor Coil	Total Capacity BTU/H [kW]	Net Sensible BTU/H [kW]	Net Latent BTU/H [kW]	SEER	EER	Indoor CFM [L/s]	47 Degree Heating Capacity BTU/H [kW]	47 Degree COP	17 Degree Heating Capacity BTU/H [kW]	17 Degree COP	Region IV HSPF	AHRI#
RP1518B1J	R96VA0402317MSA	RCF2417STAM	18000 [5.3]	14000 [4.1]	4000 [1.2]	16.00	13.00	650 [306.8]	15800 [4.6]	3.60	9200 [2.7]	2.40	9.00	8224058
RP1518B1J	R96VA0602317MSA	RCF2417STAM	18000 [5.3]	14000 [4.1]	4000 [1.2]	15.50	13.00	650 [306.8]	15800 [4.6]	3.54	9200 [2.7]	2.34	9.00	8224059
RP1518B1J	R96VA0702317MSA	RCF2417STAM	18000 [5.3]	14000 [4.1]	4000 [1.2]	16.00	13.00	650 [306.8]	15800 [4.6]	3.60	9200 [2.7]	2.34	9.00	8224060
RP1524B1J	R96VA0402317MSA	RCF2417STAM	24000 [7.0]	17900 [5.2]	6100 [1.8]	15.00	12.50	875 [413.0]	22200 [6.5]	3.60	13600 [4.0]	2.46	9.00	8171189
RP1524B1J	R96VA0602317MSA	RCF2417STAM	24000 [7.0]	17900 [5.2]	6100 [1.8]	15.00	12.50	900 [424.8]	22200 [6.5]	3.54	13800 [4.0]	2.40	8.50	8171190
RP1524B1J	R96VA0702317MSA	RCF2417STAM	23800 [7.0]	17600 [5.2]	6200 [1.8]	15.50	12.50	775 [365.8]	21800 [6.4]	3.60	13400 [3.9]	2.46	9.00	8171191
RP1530B1J	R96VA0402317MSA	RCF3617STAM	29200 [8.6]	22100 [6.5]	7100 [2.1]	15.00	12.50	1025 [483.7]	27200 [8.0]	3.66	16800 [4.9]	2.34	8.50	8224092
RP1530B1J	R96VA0602317MSA	RCF3621STAM	28800 [8.4]	21500 [6.3]	7300 [2.1]	15.50	13.00	950 [448.4]	26600 [7.8]	3.60	16300 [4.8]	2.30	8.50	8224138
RP1530B1J	R96VA0702317MSA	RCF3617STAM	28800 [8.4]	21600 [6.3]	7200 [2.1]	15.00	12.50	975 [460.1]	26800 [7.9]	3.54	16600 [4.9]	2.30	8.50	8224093
RP1530B1J	R96VA0402317MSA	RCF3621STAM	28800 [8.4]	21600 [6.3]	7200 [2.1]	15.00	12.50	975 [460.1]	26800 [7.9]	3.60	16500 [4.8]	2.30	8.50	8224139
RP1530B1J	R96VA0602317MSA	RCF3617STAM	28800 [8.4]	21500 [6.3]	7300 [2.1]	15.00	12.50	950 [448.4]	26600 [7.8]	3.54	16400 [4.8]	2.30	8.50	8224094
RP1530B1J	R96VA0702317MSA	RCF3621STAM	29000 [8.5]	22100 [6.5]	6900 [2.0]	15.00	12.50	1050 [495.5]	27200 [8.0]	3.66	16900 [5.0]	2.34	8.50	8224140
RP1530B1J	R96VA0852521MSB	RCF3621STAM	28800 [8.4]	21400 [6.3]	7400 [2.2]	15.50	13.00	925 [436.6]	26200 [7.7]	3.60	16100 [4.7]	2.30	8.50	8224141
RP1530B1J	R96VA1002521MSA	RCF3621STAM	29000 [8.5]	21900 [6.4]	7100 [2.1]	15.50	13.00	1000 [471.9]	26800 [7.9]	3.66	16500 [4.8]	2.34	8.50	8224142
RP1536AC1	R96VA0402317MSA	RCF3617STAM	35000 [10.3]	25500 [7.5]	9500 [2.8]	14.00	11.50	1125 [530.9]	33800 [9.9]	3.54	22200 [6.5]	2.54	9.00	7551371
RP1536AC1	R96VA0602317MSA	RCF3621STAM	35000 [10.3]	25500 [7.5]	9500 [2.8]	14.50	12.00	1125 [530.9]	33600 [9.8]	3.54	22200 [6.5]	2.54	9.00	7551380
RP1536AC1	R96VA0702317MSA	RCF3617STAM	34800 [10.2]	25300 [7.4]	9500 [2.8]	14.00	11.50	1125 [530.9]	33800 [9.9]	3.50	22400 [6.6]	2.50	9.00	7551372
RP1536AC1	R96VA0852521MSB	RCF3621STAM	34800 [10.2]	25300 [7.4]	9500 [2.8]	14.00	11.50	1125 [530.9]	33800 [9.9]	3.50	22200 [6.5]	2.54	9.00	7551381
RP1536AC1	R96VA1002521MSA	RCF3617STAM	35000 [10.3]	25600 [7.5]	9400 [2.8]	14.00	11.50	1150 [542.7]	34000 [10.0]	3.54	22400 [6.6]	2.54	9.00	7551373
RP1536AC1	R96VA0402317MSA	RCF3621STAM	35000 [10.3]	25600 [7.5]	9400 [2.8]	14.50	12.00	1150 [542.7]	33800 [9.9]	3.60	22200 [6.5]	2.60	9.00	7551382
RP1536AC1	R96VA0602317MSA	RCF3621STAM	35400 [10.4]	26400 [7.7]	9000 [2.6]	14.50	12.00	1225 [578.1]	34000 [10.0]	3.66	22600 [6.6]	2.66	9.00	7551383
RP1536AC1	R96VA0852521MSB	RCF3621STAM	35000 [10.3]	25400 [7.4]	9600 [2.8]	15.00	12.50	1100 [519.1]	33200 [9.7]	3.60	21800 [6.4]	2.60	9.00	7551384
RP1536AC1	R96VA1002521MSA	RCF3617STAM	35000 [10.3]	25500 [7.5]	9500 [2.8]	14.00	11.50	1125 [530.9]	33800 [9.9]	3.54	22200 [6.5]	2.54	9.00	7551388
RP1536AJ1	R96VA0402317MSA	RCF3621STAM	35000 [10.3]	25500 [7.5]	9500 [2.8]	14.50	12.00	1125 [530.9]	33600 [9.8]	3.54	22200 [6.5]	2.54	9.00	7551397
RP1536AJ1	R96VA0602317MSA	RCF3617STAM	34800 [10.2]	25300 [7.4]	9500 [2.8]	14.00	11.50	1125 [530.9]	33800 [9.9]	3.50	22400 [6.6]	2.50	9.00	7551389
RP1536AJ1	R96VA0702317MSA	RCF3621STAM	34800 [10.2]	25300 [7.4]	9500 [2.8]	14.00	11.50	1125 [530.9]	33800 [9.9]	3.50	22200 [6.5]	2.54	9.00	7551398
RP1536AJ1	R96VA0852521MSB	RCF3617STAM	35000 [10.3]	25600 [7.5]	9400 [2.8]	14.00	11.50	1150 [542.7]	34000 [10.0]	3.54	22400 [6.6]	2.54	9.00	7551390
RP1536AJ1	R96VA1002521MSA	RCF3621STAM	35000 [10.3]	25600 [7.5]	9400 [2.8]	14.50	12.00	1150 [542.7]	33800 [9.9]	3.60	22200 [6.5]	2.60	9.00	7551399
RP1536AJ1	R96VA0402317MSA	RCF3621STAM	35400 [10.4]	26400 [7.7]	9000 [2.6]	14.50	12.00	1225 [578.1]	34000 [10.0]	3.66	22600 [6.6]	2.66	9.00	7551400
RP1536AJ1	R96VA0602317MSA	RCF3617STAM	35000 [10.3]	25400 [7.4]	9600 [2.8]	15.00	12.50	1100 [519.1]	33200 [9.7]	3.60	21800 [6.4]	2.60	9.00	7551401
RP1542AC1	R96VA0852521MSB	RCF4821STAM	41500 [12.2]	29000 [8.5]	12500 [3.7]	14.50	12.00	1275 [601.7]	39500 [11.6]	3.70	25400 [7.4]	2.54	9.00	7551406
RP1542AC1	R96VA1002521MSA	RCF4824STAM	41500 [12.2]	29000 [8.5]	12500 [3.7]	14.50	12.00	1275 [601.7]	39500 [11.6]	3.70	25400 [7.4]	2.54	9.00	7551413
RP1542AC1	R96VA0402317MSA	RCF4821STAM	41500 [12.2]	28900 [8.5]	12600 [3.7]	14.50	12.00	1250 [589.9]	39500 [11.6]	3.70	25200 [7.4]	2.54	9.00	7551407
RP1542AC1	R96VA0602317MSA	RCF4824STAM	41500 [12.2]	28900 [8.5]	12600 [3.7]	14.50	12.00	1250 [589.9]	39500 [11.6]	3.70	25200 [7.4]	2.54	9.00	7551414
RP1542AC1	R96VA1152524MSA	RCF4824STAM	42000 [12.3]	30100 [8.8]	11900 [3.5]	14.50	12.00	1400 [660.7]	40000 [11.7]	3.76	25600 [7.5]	2.60	9.00	7551415

[] Designates Metric Conversions

Performance Data @ AHRI Standard Conditions – Heat Pump (con't.)

R96V: 96% AFUE 2-stage Variable Speed Multiphase Gas Furnace Ratings														
Outdoor Unit	Furnace	Indoor Coil	Total Capacity BTU/H [kW]	Net Sensible BTU/H [kW]	Net Latent BTU/H [kW]	SEER	EER	Indoor CFM [L/s]	47 Degree Heating Capacity BTU/H [kW]	47 Degree COP	17 Degree Heating Capacity BTU/H [kW]	17 Degree COP	Region IV HSPF	AHRI#
RP1542AJ1	R96VA0852521MSB	RCF4821STAM	41500 [12.2]	29000 [8.5]	12500 [3.7]	14.50	12.00	1275 [601.7]	39500 [11.6]	3.70	25400 [7.4]	2.54	9.00	7551420
		RCF4824STAM	41500 [12.2]	29000 [8.5]	12500 [3.7]	14.50	12.00	1275 [601.7]	39500 [11.6]	3.70	25400 [7.4]	2.54	9.00	7551427
RP1542AJ1	R96VA1002521MSA	RCF4821STAM	41500 [12.2]	28900 [8.5]	12600 [3.7]	14.50	12.00	1250 [589.9]	39500 [11.6]	3.70	25200 [7.4]	2.54	9.00	7551421
		RCF4824STAM	41500 [12.2]	28900 [8.5]	12600 [3.7]	14.50	12.00	1250 [589.9]	39500 [11.6]	3.70	25200 [7.4]	2.54	9.00	7551428
RP1542AJ1	R96VA1152524MSA	RCF4824STAM	42000 [12.3]	30100 [8.8]	11900 [3.5]	14.50	12.00	1400 [660.7]	40000 [11.7]	3.76	25600 [7.5]	2.60	9.00	7551429
RP1548AC1	R96VA0852521MSB	RCF4821STAM	45500 [13.3]	31600 [9.3]	13900 [4.1]	14.50	12.00	1350 [637.1]	43500 [12.7]	3.54	28400 [8.3]	2.50	9.00	7551433
		RCF4824STAM	45500 [13.3]	31600 [9.3]	13900 [4.1]	14.50	12.00	1350 [637.1]	43500 [12.7]	3.54	28400 [8.3]	2.50	9.00	7551440
RP1548AC1	R96VA1002521MSA	RCF4821STAM	46000 [13.5]	32900 [9.6]	13100 [3.8]	14.50	12.00	1475 [696.1]	45000 [13.2]	3.66	29000 [8.5]	2.54	9.00	7551434
		RCF4824STAM	46000 [13.5]	32900 [9.6]	13100 [3.8]	14.50	12.00	1475 [696.1]	45000 [13.2]	3.66	29000 [8.5]	2.54	9.00	7551441
RP1548AC1	R96VA1152524MSA	RCF4824STAM	46500 [13.6]	33600 [9.8]	12900 [3.8]	15.00	12.50	1525 [719.7]	44500 [13.0]	3.66	29000 [8.5]	2.60	9.00	7551442
RP1548AJ1	R96VA0852521MSB	RCF4821STAM	45500 [13.3]	31600 [9.3]	13900 [4.1]	14.50	12.00	1350 [637.1]	43500 [12.7]	3.54	28400 [8.3]	2.50	9.00	7551446
		RCF4824STAM	45500 [13.3]	31600 [9.3]	13900 [4.1]	14.50	12.00	1350 [637.1]	43500 [12.7]	3.54	28400 [8.3]	2.50	9.00	7551454
RP1548AJ1	R96VA1002521MSA	RCF4821STAM	46000 [13.5]	32900 [9.6]	13100 [3.8]	14.50	12.00	1475 [696.1]	45000 [13.2]	3.66	29000 [8.5]	2.54	9.00	7551447
		RCF4824STAM	46000 [13.5]	32900 [9.6]	13100 [3.8]	14.50	12.00	1475 [696.1]	45000 [13.2]	3.66	29000 [8.5]	2.54	9.00	7551455
RP1548AJ1	R96VA1152524MSA	RCF4824STAM	46500 [13.6]	33600 [9.8]	12900 [3.8]	15.00	12.50	1525 [719.7]	44500 [13.0]	3.66	29000 [8.5]	2.60	9.00	7551456
RP1560AC1	R96VA1002521MSA	RCF6024HTAM	56500 [16.6]	39500 [11.6]	17000 [5.0]	14.00	11.50	1625 [766.9]	55000 [16.1]	3.66	35200 [10.3]	2.54	9.00	7551461
		RCF6024STAM	56500 [16.6]	39500 [11.6]	17000 [5.0]	14.00	11.50	1625 [766.9]	55000 [16.1]	3.66	35200 [10.3]	2.54	9.00	7551467
RP1560AC1	R96VA1152524MSA	RCF6024HTAM	57500 [16.9]	41300 [12.1]	16200 [4.7]	14.50	12.00	1725 [814.1]	56000 [16.4]	3.76	35600 [10.4]	2.60	9.00	7551462
		RCF6024STAM	57500 [16.9]	41300 [12.1]	16200 [4.7]	14.50	12.00	1725 [814.1]	56000 [16.4]	3.76	35600 [10.4]	2.60	9.00	7551468
RP1560AJ1	R96VA1002521MSA	RCF6024HTAM	56500 [16.6]	39500 [11.6]	17000 [5.0]	14.00	11.50	1625 [766.9]	55000 [16.1]	3.66	35200 [10.3]	2.54	9.00	7551473
		RCF6024STAM	56500 [16.6]	39500 [11.6]	17000 [5.0]	14.00	11.50	1625 [766.9]	55000 [16.1]	3.66	35200 [10.3]	2.54	9.00	7551480
RP1560AJ1	R96VA1152524MSA	RCF6024HTAM	57500 [16.9]	41300 [12.1]	16200 [4.7]	14.50	12.00	1725 [814.1]	56000 [16.4]	3.76	35600 [10.4]	2.60	9.00	7551474
		RCF6024STAM	57500 [16.9]	41300 [12.1]	16200 [4.7]	14.50	12.00	1725 [814.1]	56000 [16.4]	3.76	35600 [10.4]	2.60	9.00	7551481

[] Designates Metric Conversions

Performance Data @ AHRI Standard Conditions – Heat Pump (con't.)

Air Handler Ratings													
Outdoor Unit	Air Handler	Total Capacity BTU/H [kW]	Net Sensible BTU/H [kW]	Net Latent BTU/H [kW]	SEER	EER	Indoor CFM [L/s]	47 Degree Heating Capacity BTU/H [kW]	47 Degree COP	17 Degree Heating Capacity BTU/H [kW]	17 Degree COP	Region IV HSPF	AHRI#
RP1518BU1	RFT12421MTAN	17800 [5.2]	13300 [3.9]	4500 [1.3]	15.50	13.00	600 [283.2]	16000 [4.7]	3.70	9300 [2.7]	2.40	8.50	8224073
	RBHP-17	18000 [5.3]	14400 [4.2]	3600 [1.1]	15.50	13.00	625 [295.0]	16400 [4.8]	3.66	9500 [2.8]	2.46	8.50	8224046
RP1524BU1	RH1P1817STAN	17900 [5.2]	13700 [4.0]	4200 [1.2]	14.50	12.00	600 [283.2]	15800 [4.6]	3.30	9400 [2.8]	2.20	8.20	8341937
	RH1V2417STAN	18000 [5.3]	14000 [4.1]	4000 [1.2]	16.00	13.00	650 [306.8]	15700 [4.6]	3.66	9100 [2.7]	2.40	9.00	8224075
RP1530BU1	RFT12421MTAN	23600 [6.9]	18300 [5.4]	5300 [1.6]	15.00	12.50	775 [365.8]	22000 [6.4]	3.60	13300 [3.9]	2.40	9.00	8171207
	RBHP-17	22800 [6.7]	16400 [4.8]	6400 [1.9]	15.00	12.50	800 [377.6]	20600 [6.0]	3.60	12300 [3.6]	2.34	8.50	8204599
RP1530BU1	RH1P2417STAN	23600 [6.9]	17500 [5.1]	6100 [1.8]	14.00	11.50	800 [377.6]	22400 [6.6]	3.50	14000 [4.1]	2.34	8.50	8171208
	RH1V2417STAN	24000 [7.0]	17900 [5.2]	6100 [1.8]	15.50	13.00	850 [401.2]	22000 [6.4]	3.70	13500 [4.0]	2.50	9.00	8171210
RP1530BU1	RFT13624MTAN	28800 [8.4]	22100 [6.5]	6700 [2.0]	15.50	13.00	975 [460.1]	28400 [8.3]	3.60	17100 [5.0]	2.20	8.50	8224168
	RBHP-21	28800 [8.4]	21100 [6.2]	7700 [2.3]	15.50	13.00	1025 [483.7]	27000 [7.9]	3.70	16900 [5.0]	2.46	9.00	8224076
RP1536AC1	RH1P3017STAN	29200 [8.6]	21100 [6.2]	7300 [2.1]	14.00	11.50	950 [448.4]	28600 [8.4]	3.40	17400 [5.1]	2.20	8.20	8224169
	RH1V3617STAN	29400 [8.6]	22300 [6.5]	7100 [2.1]	15.50	13.00	1025 [483.7]	27000 [7.9]	3.76	16500 [4.8]	2.40	8.50	8224171
RP1536AC1	RFT13624MTAN	35200 [10.3]	27900 [8.2]	7300 [2.1]	15.00	12.50	1200 [566.3]	37000 [10.8]	3.70	23200 [6.8]	2.54	9.00	7882090
	RBHP-21	34800 [10.2]	24700 [7.2]	10100 [3.0]	14.50	12.00	1250 [589.9]	34600 [10.1]	3.70	22000 [6.4]	2.54	9.00	7512025
RP1536AC1	RH1P3617STAN	34600 [10.1]	25000 [7.3]	9600 [2.8]	14.00	11.50	1100 [519.1]	34200 [10.0]	3.46	22400 [6.6]	2.50	8.50	7512067
	RH1P3621STAN	34600 [10.1]	25000 [7.3]	9600 [2.8]	14.00	11.50	1100 [519.1]	34200 [10.0]	3.46	22400 [6.6]	2.50	8.50	7512068
RP1536AC1	RH1V3617STAN	36000 [10.6]	26600 [7.8]	9400 [2.8]	15.00	12.50	1150 [542.7]	35400 [10.4]	3.50	22600 [6.6]	2.46	9.00	7512070
	RFT13624MTAN	35200 [10.3]	27900 [8.2]	7300 [2.1]	15.00	12.50	1200 [566.3]	37000 [10.8]	3.70	23200 [6.8]	2.54	9.00	7882091
RP1536AC1	RBHP-21	34800 [10.2]	24700 [7.2]	10100 [3.0]	14.50	12.00	1250 [589.9]	34600 [10.1]	3.70	22000 [6.4]	2.54	9.00	7512071
	RH1P3617STAN	34600 [10.1]	25000 [7.3]	9600 [2.8]	14.00	11.50	1100 [519.1]	34200 [10.0]	3.46	22400 [6.6]	2.50	8.50	7512113
RP1542AC1	RH1P3621STAN	34600 [10.1]	25000 [7.3]	9600 [2.8]	14.00	11.50	1100 [519.1]	34200 [10.0]	3.46	22400 [6.6]	2.50	8.50	7512114
	RH1V3617STAN	36000 [10.6]	26600 [7.8]	9400 [2.8]	15.00	12.50	1150 [542.7]	35400 [10.4]	3.50	22600 [6.6]	2.46	9.00	7512116
RP1542AC1	RH1P4221STAN	41500 [12.2]	30700 [9.0]	10800 [3.2]	14.00	11.50	1400 [660.7]	41000 [12.0]	3.70	26800 [7.9]	2.60	9.00	8315534
	RH1T4824STAN	43000 [12.6]	32100 [9.4]	10900 [3.2]	14.50	12.00	1550 [731.5]	40000 [11.7]	3.76	25800 [7.6]	2.60	9.00	7512303
RP1542AC1	RH1V4821STAN	41000 [12.0]	29400 [8.6]	11600 [3.4]	15.00	12.50	1250 [589.9]	40000 [11.7]	3.76	25600 [7.5]	2.66	9.00	7512304
	RFT13624MTAN	41500 [12.2]	30700 [9.0]	10800 [3.2]	14.00	11.50	1400 [660.7]	41000 [12.0]	3.70	26800 [7.9]	2.60	9.00	8315537
RP1542AC1	RH1T4824STAN	43000 [12.6]	32100 [9.4]	10900 [3.2]	14.50	12.00	1550 [731.5]	40000 [11.7]	3.76	25800 [7.6]	2.60	9.00	7512351
	RH1V4821STAN	41000 [12.0]	29400 [8.6]	11600 [3.4]	15.00	12.50	1250 [589.9]	40000 [11.7]	3.76	25600 [7.5]	2.66	9.00	7512352
RP1548AC1	RH1P4821STAN	46000 [13.5]	33000 [9.7]	13000 [3.8]	14.00	11.50	1500 [707.9]	45500 [13.3]	3.50	29600 [8.7]	2.50	9.00	7512149
	RH1T4824STAN	47000 [13.8]	34400 [10.1]	12600 [3.7]	15.50	12.50	1550 [731.5]	44500 [13.0]	3.70	28800 [8.4]	2.60	9.00	7512151
RP1548AC1	RH1V4821STAN	46000 [13.5]	32400 [9.5]	13600 [4.0]	15.00	12.50	1400 [660.7]	44000 [12.9]	3.66	28400 [8.3]	2.54	9.00	7512152
	RH1V4824STAN	47500 [13.9]	35400 [10.4]	12100 [3.5]	15.00	12.50	1625 [766.9]	44500 [13.0]	3.70	28800 [8.4]	2.60	9.00	7512153

[] Designates Metric Conversions

Performance Data @ AHRI Standard Conditions – Heat Pump (con't.)

Air Handler Ratings													
Outdoor Unit	Air Handler	Total Capacity BTU/H [kW]	Net Sensible BTU/H [kW]	Net Latent BTU/H [kW]	SEER	EER	Indoor CFM [L/s]	47 Degree Heating Capacity BTU/H [kW]	47 Degree COP	17 Degree Heating Capacity BTU/H [kW]	17 Degree COP	Region IV HSPF	AHRI#
RP1548AJ1	RH1P4821STAN	46000 [13.5]	33000 [9.7]	13000 [3.8]	14.00	11.50	1500 [707.9]	45500 [13.3]	3.50	29600 [8.7]	2.50	9.00	7512186
	RH1T4824STAN	47000 [13.8]	34400 [10.1]	12600 [3.7]	15.50	12.50	1550 [731.5]	44500 [13.0]	3.70	28800 [8.4]	2.60	9.00	7512188
	RH1V4821STAN	46000 [13.5]	32400 [9.5]	13600 [4.0]	15.00	12.50	1400 [660.7]	44000 [12.9]	3.66	28400 [8.3]	2.54	9.00	7512189
	RH1V4824STAN	47500 [13.9]	35400 [10.4]	12100 [3.5]	15.00	12.50	1625 [766.9]	44500 [13.0]	3.70	28800 [8.4]	2.60	9.00	7512190
RP1560AC1	RH2T6024STAN	57000 [16.7]	39800 [11.7]	17200 [5.0]	15.00	12.50	1600 [755.1]	54500 [16.0]	3.76	34400 [10.1]	2.60	9.00	7512223
	RH1V6024STAN	58000 [17.0]	42400 [12.4]	15600 [4.6]	15.00	12.50	1800 [849.5]	56000 [16.4]	3.84	35600 [10.4]	2.70	9.00	7512222
	RH2V6024HTAC	57500 [16.9]	41300 [12.1]	16200 [4.7]	15.00	12.50	1725 [814.1]	55500 [16.3]	3.80	35200 [10.3]	2.66	9.00	7818680
	RH2T6024STAN	57000 [16.7]	39800 [11.7]	17200 [5.0]	15.00	12.50	1600 [755.1]	54500 [16.0]	3.76	34400 [10.1]	2.60	9.00	7512256
RP1560AJ1	RH1V6024STAN	58000 [17.0]	42400 [12.4]	15600 [4.6]	15.00	12.50	1800 [849.5]	56000 [16.4]	3.84	35600 [10.4]	2.70	9.00	7512255
	RH2V6024HTAC	57500 [16.9]	41300 [12.1]	16200 [4.7]	15.00	12.50	1725 [814.1]	55500 [16.3]	3.80	35200 [10.3]	2.66	9.00	7818683

[] Designates Metric Conversions

Performance Data @ AHRI Standard Conditions – Heat Pump (con't.)

RHWB Hydronic Air Handler Ratings														
Outdoor Unit	Furnace	Indoor Coil	Total Capacity BTU/H [kW]	Net Sensible BTU/H [kW]	Net Latent BTU/H [kW]	SEER	EER	Indoor CFM [L/s]	47 Degree Heating Capacity BTU/H [kW]	47 Degree COP	17 Degree Heating Capacity BTU/H [kW]	17 Degree COP	Region IV HSPF	AHRI#
RP1524B1	RHWB-04WMX36B	RCF2417STAM	24000 [7.0]	17900 [5.2]	6100 [1.8]	15.50	13.00	875 [413.0]	22000 [6.4]	3.66	13600 [4.0]	2.46	9.00	8171201
RP1530B1	RHWB-04WMX36B	RCF3617STAM	29200 [8.6]	22100 [6.5]	7100 [2.1]	15.00	12.50	1025 [483.7]	27200 [8.0]	3.66	16900 [5.0]	2.34	8.50	8224103
RP1530B1	RHWB-04WMX36B	RCF3621STAM	29200 [8.6]	22300 [6.5]	6900 [2.0]	15.00	12.50	1050 [495.5]	27200 [8.0]	3.66	16900 [5.0]	2.34	8.50	8224159
RP1530B1	RHWB-06WMX48B	RCF3617STAM	29000 [8.5]	21800 [6.4]	7200 [2.1]	15.50	13.00	975 [460.1]	27000 [7.9]	3.66	16600 [4.9]	2.34	8.50	8224104
RP1536A1	RHWB-04WMX36B	RCF3621STAM	29000 [8.5]	21800 [6.4]	7200 [2.1]	15.50	13.00	975 [460.1]	27000 [7.9]	3.70	16700 [4.9]	2.40	9.00	8224160
RP1536A1	RHWB-04WMX36B	RCF3617STAM	35200 [10.3]	25800 [7.6]	9400 [2.8]	14.50	12.00	1150 [542.7]	34200 [10.0]	3.60	22400 [6.6]	2.54	9.00	7818656
RP1536A1	RHWB-04WMX36B	RCF3621STAM	35200 [10.3]	25800 [7.6]	9400 [2.8]	14.50	12.00	1150 [542.7]	34200 [10.0]	3.60	22600 [6.6]	2.60	9.00	7818658
RP1536AC1	RHWB-06WMX48B	RCF3617STAM	35200 [10.3]	26000 [7.6]	9200 [2.7]	14.50	12.00	1200 [566.3]	34200 [10.0]	3.60	22600 [6.6]	2.60	9.00	7818657
RP1536AC1	RHWB-06WMX48B	RCF3621STAM	35200 [10.3]	26000 [7.6]	9200 [2.7]	14.50	12.00	1200 [566.3]	34200 [10.0]	3.60	22600 [6.6]	2.60	9.00	7818659
RP1536AJ1	RHWB-04WMX36B	RCF3617STAM	35200 [10.3]	25800 [7.6]	9400 [2.8]	14.50	12.00	1150 [542.7]	34200 [10.0]	3.60	22400 [6.6]	2.54	9.00	7818660
RP1536AJ1	RHWB-04WMX36B	RCF3621STAM	35200 [10.3]	25800 [7.6]	9400 [2.8]	14.50	12.00	1150 [542.7]	34200 [10.0]	3.60	22600 [6.6]	2.60	9.00	7818662
RP1542AC1	RHWB-04WMX36B	RCF3617STAM	35200 [10.3]	26000 [7.6]	9200 [2.7]	14.50	12.00	1200 [566.3]	34200 [10.0]	3.60	22600 [6.6]	2.60	9.00	7818661
RP1542AC1	RHWB-04WMX36B	RCF3621STAM	35200 [10.3]	26000 [7.6]	9200 [2.7]	14.50	12.00	1200 [566.3]	34200 [10.0]	3.60	22600 [6.6]	2.60	9.00	7818663
RP1542AC1	RHWB-06WMX48B	RCF4821STAM	41500 [12.2]	29300 [8.6]	12200 [3.6]	14.00	11.50	1325 [625.3]	40500 [11.9]	3.66	26000 [7.6]	2.54	9.00	7818664
RP1542AC1	RHWB-06WMX48B	RCF4821STAM	41500 [12.2]	29300 [8.6]	12200 [3.6]	14.00	11.50	1325 [625.3]	40500 [11.9]	3.66	26000 [7.6]	2.54	9.00	7818665
RP1542AC1	RHWB-08WRX60B	RCF4824STAM	42000 [12.3]	30100 [8.8]	11900 [3.5]	14.50	12.00	1450 [684.3]	40000 [11.7]	3.70	25800 [7.6]	2.60	9.00	7818666
RP1542AC1	RHWB-10WRX60B	RCF4824STAM	42000 [12.3]	30100 [8.8]	11900 [3.5]	15.00	12.50	1375 [648.9]	40000 [11.7]	3.80	25600 [7.5]	2.66	9.00	7818667
RP1542AJ1	RHWB-04WMX36B	RCF4821STAM	41500 [12.2]	29300 [8.6]	12200 [3.6]	14.00	11.50	1325 [625.3]	40500 [11.9]	3.66	26000 [7.6]	2.54	9.00	7818668
RP1542AJ1	RHWB-04WMX36B	RCF4821STAM	41500 [12.2]	29300 [8.6]	12200 [3.6]	14.00	11.50	1325 [625.3]	40500 [11.9]	3.66	26000 [7.6]	2.54	9.00	7818669
RP1542AJ1	RHWB-08WRX60B	RCF4824STAM	42000 [12.3]	30100 [8.8]	11900 [3.5]	14.50	12.00	1450 [684.3]	40000 [11.7]	3.70	25800 [7.6]	2.60	9.00	7818670
RP1542AJ1	RHWB-10WRX60B	RCF4824STAM	42000 [12.3]	30100 [8.8]	11900 [3.5]	15.00	12.50	1375 [648.9]	40000 [11.7]	3.80	25600 [7.5]	2.66	9.00	7818671
RP1548AC1	RHWB-08WRX60B	RCF4824STAM	46500 [13.6]	33200 [9.7]	13300 [3.9]	15.00	12.50	1450 [684.3]	44500 [13.0]	3.66	29000 [8.5]	2.60	9.00	7818673
RP1548AC1	RHWB-10WRX60B	RCF4824STAM	46000 [13.5]	32100 [9.4]	13900 [4.1]	15.50	12.50	1350 [637.1]	44500 [13.0]	3.70	28200 [8.3]	2.54	9.00	7818674
RP1548AJ1	RHWB-08WRX60B	RCF4824STAM	46500 [13.6]	33200 [9.7]	13300 [3.9]	15.00	12.50	1450 [684.3]	44500 [13.0]	3.66	29000 [8.5]	2.60	9.00	7818676
RP1548AJ1	RHWB-10WRX60B	RCF4824STAM	46000 [13.5]	32100 [9.4]	13900 [4.1]	15.50	12.50	1350 [637.1]	44500 [13.0]	3.70	28200 [8.3]	2.54	9.00	7818677
RP1560AC1	RHWB-08WRX60B	RCF6024STAM	46000 [13.5]	32100 [9.4]	13900 [4.1]	15.50	12.50	1350 [637.1]	44500 [13.0]	3.70	28200 [8.3]	2.54	9.00	7818677
RP1560AC1	RHWB-08WRX60B	RCF6024STAM	57500 [16.9]	40900 [12.0]	16600 [4.9]	14.50	12.00	1675 [790.5]	56000 [16.4]	3.76	35200 [10.3]	2.60	9.00	7818678
RP1560AC1	RHWB-10WRX60B	RCF6024STAM	57500 [16.9]	40900 [12.0]	16600 [4.9]	14.50	12.00	1675 [790.5]	56000 [16.4]	3.80	35400 [10.4]	2.66	9.00	7818679
RP1560AJ1	RHWB-08WRX60B	RCF6024STAM	57500 [16.9]	40900 [12.0]	16600 [4.9]	14.50	12.00	1675 [790.5]	56000 [16.4]	3.76	35200 [10.3]	2.60	9.00	7818681
RP1560AJ1	RHWB-10WRX60B	RCF6024STAM	57500 [16.9]	41300 [12.1]	16200 [4.7]	14.50	12.00	1725 [814.1]	56000 [16.4]	3.80	35400 [10.4]	2.66	9.00	7818682

[] Designates Metric Conversions

Performance Data @ AHRI Standard Conditions – Heat Pump (con't.)

Ratings														
Outdoor Unit	Furnace	Indoor Coil	Total Capacity BTU/H [kW]	Net Sensible BTU/H [kW]	Net Latent BTU/H [kW]	SEER	EER	Indoor CFM [L/s]	47 Degree Heating Capacity BTU/H [kW]	47 Degree COP	17 Degree Heating Capacity BTU/H [kW]	17 Degree COP	Region IV HSPF	AHRI#
RP1518BJ1	RW1T0A42414NAA	RCF2417STAM	18000 [5.3]	14000 [4.1]	4000 [1.2]	16.00	13.00	650 [306.8]	15800 [4.6]	3.60	9200 [2.7]	2.34	9.00	8443969
RP1524BJ1	RW1T0A42414NAA	RCF2417STAM	24000 [7.0]	17900 [5.2]	6100 [1.8]	15.00	12.50	800 [377.6]	22200 [6.5]	3.60	13600 [4.0]	2.46	9.00	8410138
RP1524BJ1	RW1T06A3617NAA	RCF2417STAM	24000 [7.0]	17900 [5.2]	6100 [1.8]	15.00	12.50	850 [401.2]	22200 [6.5]	3.60	13700 [4.0]	2.46	8.50	8410139
RP1530BJ1	RW1T08A4821NAA	RCF3621STAM	29200 [8.6]	22300 [6.5]	6900 [2.0]	15.00	12.50	1050 [495.5]	27200 [8.0]	3.66	16900 [5.0]	2.34	8.50	8443970
RP1536AC1	RW1T06A3617NAA	RCF3617STAM	35800 [10.5]	26900 [7.9]	8900 [2.6]	15.00	12.50	1250 [589.9]	34000 [10.0]	3.66	22400 [6.6]	2.66	9.00	8443971
RP1536AC1	RW1T08A4821NAA	RCF3621STAM	35800 [10.5]	26900 [7.9]	8900 [2.6]	15.00	12.50	1250 [589.9]	34000 [10.0]	3.66	22400 [6.6]	2.66	9.00	8443972
RP1536AJ1	RW1T08A4821NAA	RCF3621STAM	35200 [10.3]	25800 [7.6]	9400 [2.8]	14.50	12.00	1150 [542.7]	34000 [10.0]	3.66	22400 [6.6]	2.66	9.00	8443973
RP1536AJ1	RW1T06A3617NAA	RCF3617STAM	35800 [10.5]	26900 [7.9]	8900 [2.6]	15.00	12.50	1250 [589.9]	34000 [10.0]	3.66	22400 [6.6]	2.66	9.00	8443974
RP1536AJ1	RW1T08A4821NAA	RCF3621STAM	35800 [10.5]	26900 [7.9]	8900 [2.6]	15.00	12.50	1250 [589.9]	34000 [10.0]	3.66	22400 [6.6]	2.66	9.00	8443975
RP1536AJ1	RW1T08A4821NAA	RCF3621STAM	35200 [10.3]	25800 [7.6]	9400 [2.8]	14.50	12.00	1150 [542.7]	34000 [10.0]	3.66	22400 [6.6]	2.66	9.00	8443976
RP1542AC1	RW1T06A3617NAA	RCF4821STAM	41500 [12.2]	28900 [8.5]	12600 [3.7]	14.00	11.50	1250 [589.9]	40000 [11.7]	3.70	25400 [7.4]	2.54	9.00	8443977
RP1542AC1	RW1T08A4821NAA	RCF4821STAM	41500 [12.2]	28800 [8.4]	12700 [3.7]	14.50	12.00	1225 [578.1]	39500 [11.6]	3.70	25400 [7.4]	2.54	9.00	8443978
RP1542AC1	RW1T08A4821NAA	RCF4824STAM	41500 [12.2]	28800 [8.4]	12700 [3.7]	14.50	12.00	1225 [578.1]	39500 [11.6]	3.70	25400 [7.4]	2.54	9.00	8443979
RP1542AC1	RW1T10A6024NAA	RCF4824STAM	42000 [12.3]	30100 [8.8]	11900 [3.5]	14.00	11.50	1500 [707.9]	40500 [11.9]	3.66	26200 [7.7]	2.54	9.00	8443980
RP1542AJ1	RW1T06A3617NAA	RCF4821STAM	41500 [12.2]	28900 [8.5]	12600 [3.7]	14.00	11.50	1250 [589.9]	40000 [11.7]	3.70	25400 [7.4]	2.54	9.00	8443981
RP1542AJ1	RW1T08A4821NAA	RCF4821STAM	41500 [12.2]	28800 [8.4]	12700 [3.7]	14.50	12.00	1225 [578.1]	39500 [11.6]	3.70	25400 [7.4]	2.54	9.00	8443982
RP1542AJ1	RW1T08A4821NAA	RCF4824STAM	41500 [12.2]	28800 [8.4]	12700 [3.7]	14.50	12.00	1225 [578.1]	39500 [11.6]	3.70	25400 [7.4]	2.54	9.00	8443983
RP1548AC1	RW1T08A4821NAA	RCF4824STAM	42000 [12.3]	30100 [8.8]	11900 [3.5]	14.00	11.50	1500 [707.9]	40500 [11.9]	3.66	26200 [7.7]	2.54	9.00	8443984
RP1548AC1	RW1T06A3617NAA	RCF4821STAM	46500 [13.6]	34000 [10.0]	12500 [3.7]	14.00	11.50	1575 [743.3]	45500 [13.3]	3.50	29800 [8.7]	2.50	9.00	8443985
RP1548AC1	RW1T08A4821NAA	RCF4824STAM	46500 [13.6]	34000 [10.0]	12500 [3.7]	14.00	11.50	1575 [743.3]	45500 [13.3]	3.50	29800 [8.7]	2.50	9.00	8443986
RP1548AC1	RW1T10A6024NAA	RCF4824STAM	46500 [13.6]	33500 [9.8]	13000 [3.8]	14.50	12.00	1500 [707.9]	45000 [13.2]	3.60	29200 [8.6]	2.54	9.00	8443987
RP1548AJ1	RW1T08A4821NAA	RCF4821STAM	46500 [13.6]	34000 [10.0]	12500 [3.7]	14.00	11.50	1575 [743.3]	45500 [13.3]	3.50	29800 [8.7]	2.50	9.00	8443988
RP1548AJ1	RW1T08A4821NAA	RCF4824STAM	46500 [13.6]	34000 [10.0]	12500 [3.7]	14.00	11.50	1575 [743.3]	45500 [13.3]	3.50	29800 [8.7]	2.50	9.00	8443989
RP1548AJ1	RW1T10A6024NAA	RCF4824STAM	46500 [13.6]	33500 [9.8]	13000 [3.8]	14.50	12.00	1500 [707.9]	45000 [13.2]	3.60	29200 [8.6]	2.54	9.00	8443990
RP1560AC1	RW1T08A4821NAA	RCF6024HTAM	56500 [16.6]	39300 [11.5]	17200 [5.0]	14.00	11.50	1600 [755.1]	55500 [16.3]	3.66	35200 [10.3]	2.54	9.00	8443991
RP1560AC1	RW1T08A4821NAA	RCF6024STAM	56500 [16.6]	39300 [11.5]	17200 [5.0]	14.00	11.50	1600 [755.1]	55500 [16.3]	3.66	35200 [10.3]	2.54	9.00	8443993
RP1560AC1	RW1T10A6024NAA	RCF6024HTAM	57000 [16.7]	40800 [12.0]	16200 [4.7]	14.00	11.50	1725 [814.1]	56500 [16.6]	3.76	35800 [10.5]	2.60	9.00	8443992
RP1560AC1	RW1T10A6024NAA	RCF6024STAM	57000 [16.7]	40800 [12.0]	16200 [4.7]	14.00	11.50	1725 [814.1]	56500 [16.6]	3.76	35800 [10.5]	2.60	9.00	8443994
RP1560AJ1	RW1T08A4821NAA	RCF6024HTAM	56500 [16.6]	39300 [11.5]	17200 [5.0]	14.00	11.50	1600 [755.1]	55500 [16.3]	3.66	35200 [10.3]	2.54	9.00	8443995
RP1560AJ1	RW1T08A4821NAA	RCF6024STAM	56500 [16.6]	39300 [11.5]	17200 [5.0]	14.00	11.50	1600 [755.1]	55500 [16.3]	3.66	35200 [10.3]	2.54	9.00	8443997
RP1560AJ1	RW1T10A6024NAA	RCF6024HTAM	57000 [16.7]	40800 [12.0]	16200 [4.7]	14.00	11.50	1725 [814.1]	56500 [16.6]	3.76	35800 [10.5]	2.60	9.00	8443996
RP1560AJ1	RW1T10A6024NAA	RCF6024STAM	57000 [16.7]	40800 [12.0]	16200 [4.7]	14.00	11.50	1725 [814.1]	56500 [16.6]	3.76	35800 [10.5]	2.60	9.00	8443998

[J] Designates Metric Conversions

GUIDE SPECIFICATIONS

General

System Description

Outdoor-mounted, air-cooled, split-system heat pump unit suitable for ground or rooftop installation. Unit consists of a hermetic compressor, composite basepan, an air-cooled coil, propeller-type condenser fan, suction and liquid line service valve, and a control box. Unit will discharge supply air upward as shown on contract drawings. Unit will be used in a refrigeration circuit to match up to a coil unit.

Quality Assurance

- Unit will be rated in accordance with the latest edition of AHRI Standard 210.
- Unit will be certified for capacity and efficiency, and listed in the latest AHRI directory.
- Unit construction will comply with latest edition of ANSI/ASHRAE and with NEC.
- Unit will be constructed in accordance with UL standards and will carry the UL label of approval. Unit will have c-UL-us approval.
- Unit cabinet will be capable of withstanding ASTM B117 1000-hr salt spray test.
- Air-cooled condenser coils will be leak tested at 150 psig and pressure tested at 550 psig.
- Unit constructed in ISO9001 approved facility.

Delivery, Storage, and Handling

- Unit will be shipped as single package only and is stored and handled per unit manufacturer's recommendations.

Warranty (for inclusion by specifying engineer) – U.S. and Canada only.

Products

Equipment

Factory assembled, single piece, air-cooled heat pump unit. Contained within the unit enclosure is all factory wiring, piping, controls, compressor, refrigerant charge R-410A, and special features required prior to field start-up.

Unit Cabinet

- Unit cabinet will be constructed of galvanized steel, bonderized, and coated with a powder coat paint.
- All units constructed with louver coil protection and corner post. Louver can be removed by removing one fastener per louver panel.

AIR-COOLED, SPLIT-SYSTEM HEAT PUMP

RP15

1-1/2 TO 5 NOMINAL TONS

Fans

- Condenser fan will be direct-drive propeller type, discharging air upward.
- Condenser fan motors will be totally enclosed, 1-phase type with class B insulation and permanently lubricated bearings. Shafts will be corrosion resistant.
- Fan blades will be statically and dynamically balanced.
- Condenser fan openings will be equipped with coated steel wire safety guards.

Compressor

- Compressor will be hermetically sealed.
- Compressor will be mounted on rubber vibration isolators.

Condenser Coil

- Condenser coil will be air cooled.
- Coil will be constructed of aluminum fins mechanically bonded to copper tubes.

Refrigeration Components

- Refrigeration circuit components will include liquid-line shutoff valve with sweat connections, vapor-line shutoff valve with sweat connections, system charge of R-410A refrigerant, and compressor oil.
- Unit will be equipped with filter drier for R-410A refrigerant for field installation.

Operating Characteristics

- The capacity of the unit will meet or exceed _____ Btuh at a suction temperature of _____ °F/°C. The power consumption at full load will not exceed _____ kW.
- Combination of the unit and the evaporator or fan coil unit will have a total net cooling capacity of _____ Btuh or greater at conditions of _____ CFM entering air temperature at the evaporator at _____ °F/°C wet bulb and _____ °F/°C dry bulb, and air entering the unit at _____ °F/°C.
- The system will have a SEER of _____ Btuh/watt or greater at DOE conditions.

Electrical Requirements

- Nominal unit electrical characteristics will be _____ v, single phase, 60 hz. The unit will be capable of satisfactory operation within voltage limits of _____ v to _____ v.
- Nominal unit electrical characteristics will be _____ v, three phase, 60 hz. The unit will be capable of satisfactory operation within voltage limits of _____ v to _____ v.
- Unit electrical power will be single point connection.
- Control circuit will be 24v.

Special Features

- Refer to section of this literature identifying accessories and descriptions for specific features and available enhancements.

GENERAL TERMS OF LIMITED WARRANTY*

Ruud will furnish a replacement for any part of this product which fails in normal use and service within the applicable period stated, in accordance with the terms of the limited warranty.

*For complete details of the Limited and Conditional Warranties, including applicable terms and conditions, contact your local contractor or the Manufacturer for a copy of the product warranty certificate.

Conditional Parts
(Registration Required)Ten (10) Years



In keeping with its policy of continuous progress and product improvement, Ruud reserves the right to make changes without notice.

Ruud Heating, Cooling & Water Heating • P.O. Box 17010
Fort Smith, Arkansas 72917 • www.ruud.com

Ruud Canada • 125 Edgeware Road, Unit 1
Brampton, Ontario • L6Y 0P5

RELY ON RUUD.™